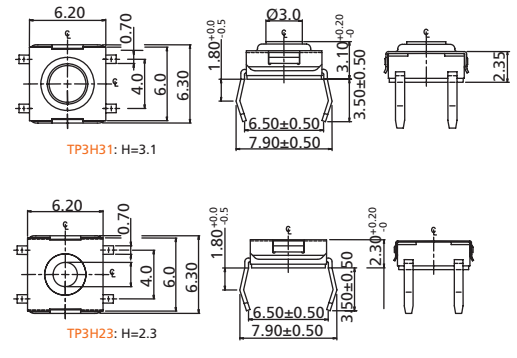
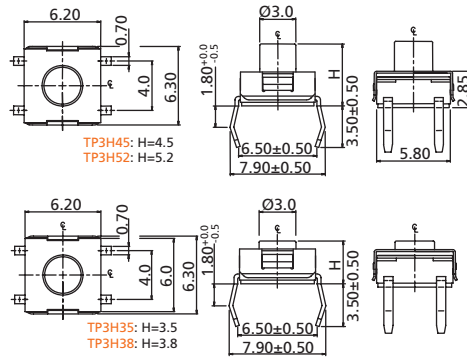
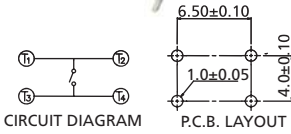


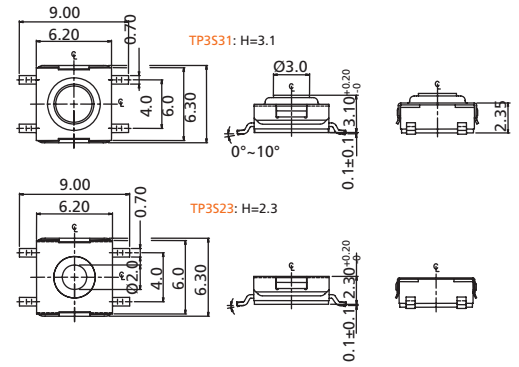
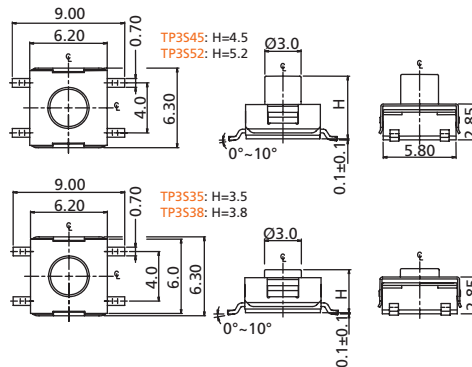
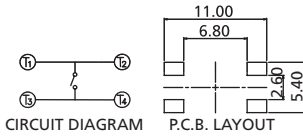
# Tactile Switches

## 6 x 6 mm Washable Tactile Switches

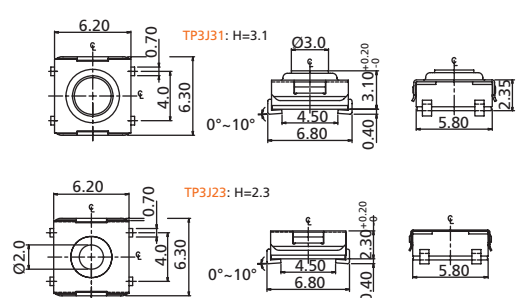
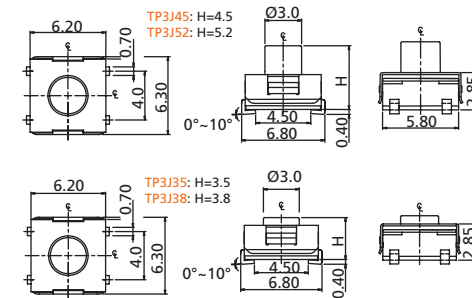
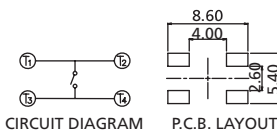
## TP3 Series



### TP3H THT Terminals



### TP3S SMT Terminals



### TP3J SMT J-Bending Terminals

## How to order:

TP3 1 2 3 4

- 1 TYPE OF TERMINALS:**  
**H** THT  
**S** SMT  
**J** SMT J-Bending
- 2 DIMENSION "H":** Individual stem heights available by request  
**23** H = 2.3mm  
**31** H = 3.1mm  
**35** H = 3.5mm  
**38** H = 3.8mm  
**45** H = 4.5mm  
**52** H = 5.2mm  
**77** H = 7.7mm (Only for SMT J-Bending Terminals)
- 3 STEM COLOR & OPERATING FORCE:**  
**K** Brown & 160±50gf (Only for H=3.1mm)  
 Brown & 180±50gf (Only for H=3.5 / 3.8 / 4.5 / 5.2mm)  
**U** Silver & 160±50gf (Only for H=2.3mm)  
**C** Red & 260±70gf (Only for H=3.5 / 3.8 / 4.5 / 5.2mm)  
**J** Transparent & 360±90gf (Only for H=3.5 / 3.8 / 5.2 / 7.7mm)
- 4 PACKAGE:**  
**BK** Bulk (Only for SMT J-Bending Terminals)  
**TB** Tube  
**TR** Tape & Reel

General Tolerance: ± 0.2 mm

## General Specifications:

### FEATURES

- » Sharp click feel with a positive tactile feedback
- » Seal characteristics:
  - The washable type switches allow submersed washing after soldering.
  - Proceed the cleaning process after the S/W temperature decreases to normal.
  - Degree of protection: IP46

### MATERIALS

- » Terminal: Brass with silver plated
- » Contact: Stainless steel

### MECHANICAL

- » Operation Temperature: -25°C to +70°C
- » Storage Temperature: -30°C to +80°C

### ELECTRICAL

- » Electrical Life: 500,000 cycles for TP3\_38, 35K(C), 45K(C) & 52B(C), 100,000 cycles for TP3\_31K, 23U & TP4531KG
- » Rating: 50mA, 12VDC
- » Contact Arrangement: 1 pole 1 throw

### LEADFREE SOLDERING PROCESSES

- » 260°C max. 5 seconds for THT terminals
- » 260°C max. 10 seconds for SMT terminals