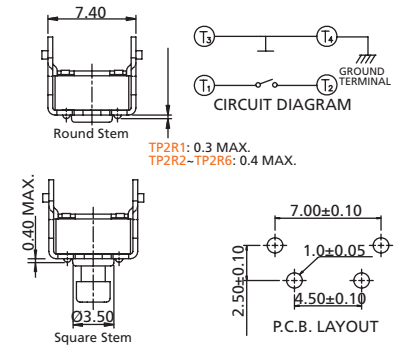
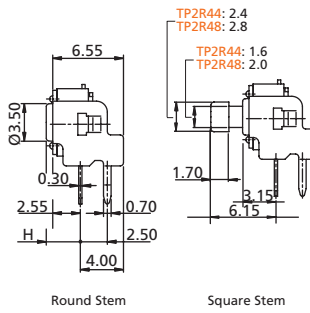
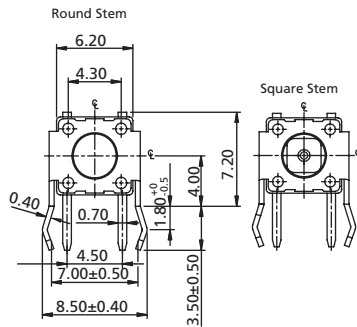


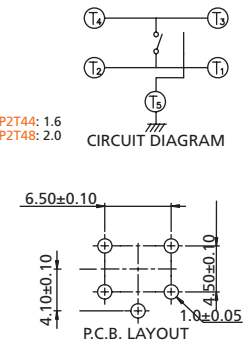
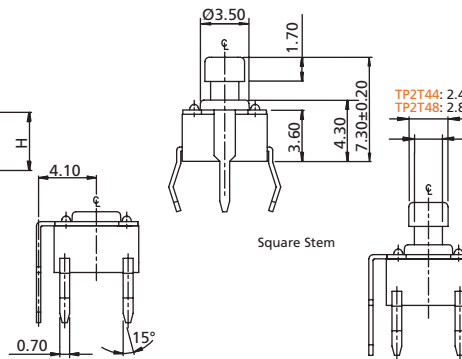
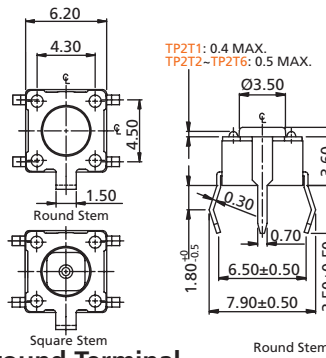
Tactile Switches

6 x 6 mm THT Tactile Switches with Ground Terminal

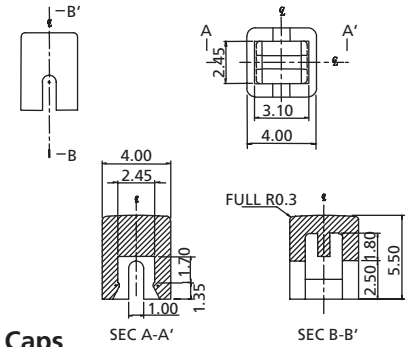
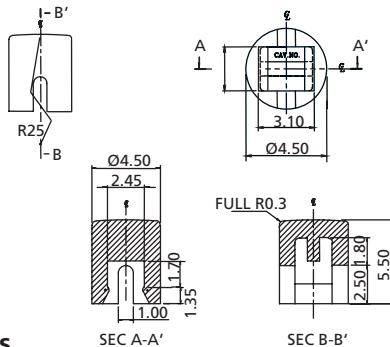
TP2 Series



TP2R Right Angle Type with Ground Terminal



TP2T Top Type with Ground Terminal



K06R Round Caps

K06S Square Caps

How to order:

TP2 + (Caps)

- 1 TYPE OF TACTILE SWITCH:**
R Right Angle Type with Ground Terminal
T Top Type with Ground Terminal
- 2 DIMENSION "H" FOR TP2R:**
1 H=3.15mm (Round Stem)
2 H=3.85mm (Round Stem)
3 H=5.85mm (Round Stem)
44 H=6.15mm (Square Stem 2.4mm)
48 H=6.15mm (Square Stem 2.8mm)
5 H=8.35mm (Round Stem)
6 H=11.85mm (Round Stem)
- 3 DIMENSION "H" FOR TP2T:**
1 H=4.3mm (Round Stem)
2 H=5.0mm (Round Stem)
3 H=7.0mm (Round Stem)
44 H=7.3mm (Square Stem 2.4mm)
48 H=7.3mm (Square Stem 2.8mm)
5 H=9.5mm (Round Stem)
6 H=13.0mm (Round Stem)
- Individual stem heights available by request
- 4 STEM COLOR & OPERATING FORCE:**
A Black & 100±50gf
K Brown & 160±50gf
C Red & 260±50gf
J Salmon & 320±80gf
E Yellow & 520±130gf

- 4 MATERIAL OF DOME:**
Blank Phosphor Bronze Dome
S Stainless Steel Dome
- 5 PACKAGE STYLE:**
BK Bulk Pack
- Optional:**
- 6 CAP TYPE (Only for Square Stems):**
K06S Square Caps
K06R Round Caps
- 7 COLOR OF CAPS:**
A Black
B Ivory
C Red
E Yellow
F Green
G Blue
H Gray
S Salmon

General Specifications:

MATERIALS

- » Contact Disc: Stainless steel
- » Terminal: Brass with silver plated

MECHANICAL

- » Stroke: 0.25 (+0.2/-0.1) mm
- » Operation Temperature: -25°C to +70°C
- » Storage Temperature: -30°C to +80°C

ELECTRICAL

- » Electrical Life (Phosphor Bronze Dome):
50,000 cycles for 320gf, 520gf
100,000 cycles for 260gf
200,000 cycles for 100gf, 160gf
- » Electrical Life (Stainless Steel Dome):
300,000 cycles for 320gf, 520gf
500,000 cycles for 260gf
1,000,000 cycles for 100gf, 160gf
- » Rating: 50mA, 12VDC
- » Contact Arrangement: 1 pole 1 throw

LEADFREE SOLDERING PROCESSES

- » Wave Soldering: Recommended solder temperature at 260°C max. 5 seconds subject to PCB 1.6mm thickness.