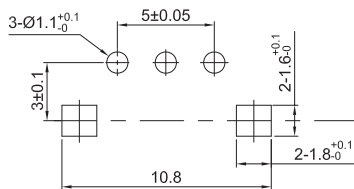
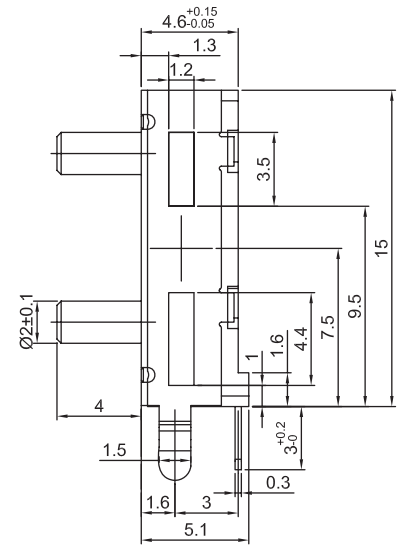
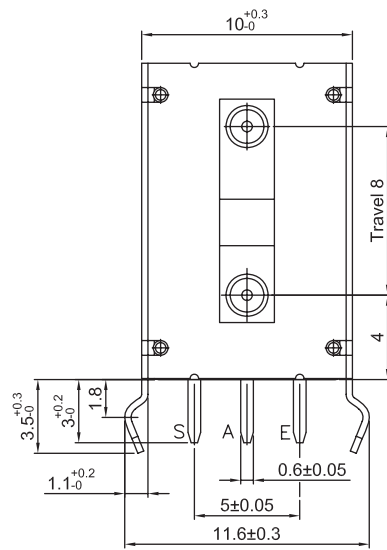
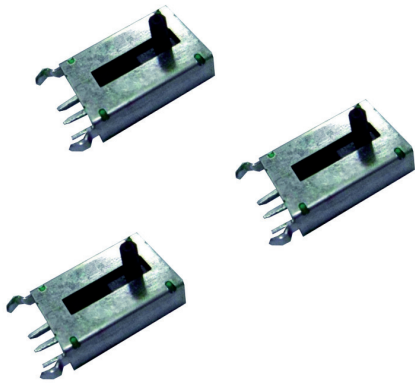
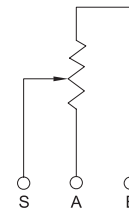


DIMENSIONS (Unit: MM)



P.C.B. LAYOUT



SCHEMATIC

SPECIFICATIONS

ELECTRICAL CHARACTERISTICS:

- > Total Resistance Range: 1K to 100KΩ ±20%
- > Taper Style: B Taper linear
- > Power Rated: 0.2W @ 50°C
- > Independent Linearity: ±2%
- > Max. Voltage: 30VDC
- > Contact Noise: Within 10%TR

MECHANICAL CHARACTERISTICS:

- > Mechanical Travel: 8mm
- > Electrical Travel: 6.4mm
- > Slide Torque: 200 gf Max.
- > Push Pull Strength of Lever: 5Kg Min. (Push); 2Kg Min. (Pull)
- > Stopper Strength: 3Kg Min. 5 Sec.

ENVIRONMENTAL CHARACTERISTICS:

- > Storage Temperature: -40°C to +105°C
- > Operating Temperature: -40°C to +105°C
- > Life Cycles: 200,000 Cycles Min.
- > Heat Resistance: +105°C±2°C, 96H, ΔTR: ±20%, Linearity: ±3%
- > Cold Resistance: -40°C±3°C, 96H, ΔTR: ±20%, Linearity: ±3%
- > Humidity Resistance: +60°C±2°C, 90 to 95 RH, 100h, ΔTR: ±20%, Linearity: ±3%
- > Temperature Cycles: -40°C to +105°C, 5 Cycles, ΔTR: ±20%, Linearity: ±3%

HOW TO ORDER

NE10 1 2 3 4 5

<p>1 SENSOR TYPE:</p> <p>S Standard Slide Sensor</p>	<p>3 LENGTH OF LEVER:</p> <p>4 4 mm (Standard)</p>	<p>4 RESISTANCE TAPER:</p> <p>B Linear</p>	<p>5 TOTAL RESISTANCE (TR):</p> <p>1K 1KΩ 2K 2KΩ 4K7 4.7KΩ 5K 5KΩ 10K 10KΩ 20K 20KΩ 50K 50KΩ 100K 100KΩ</p>
<p>2 TRAVEL:</p> <p>8 8 mm (Standard)</p>			