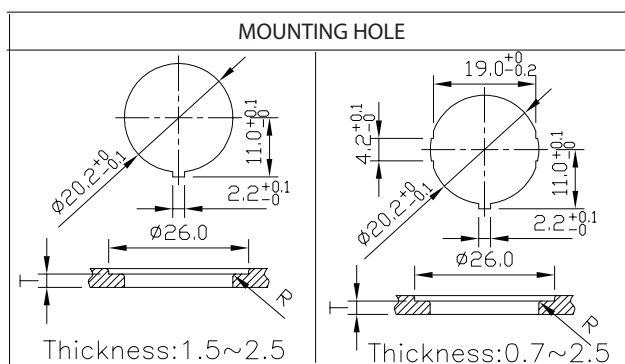
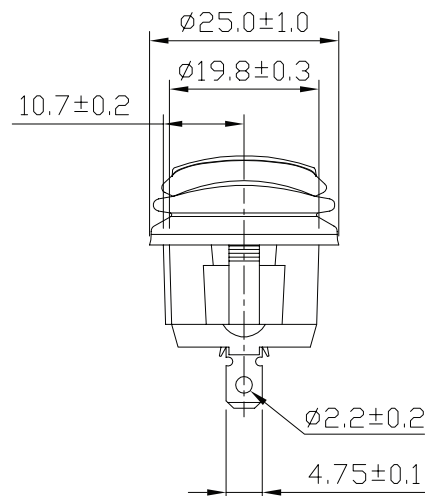
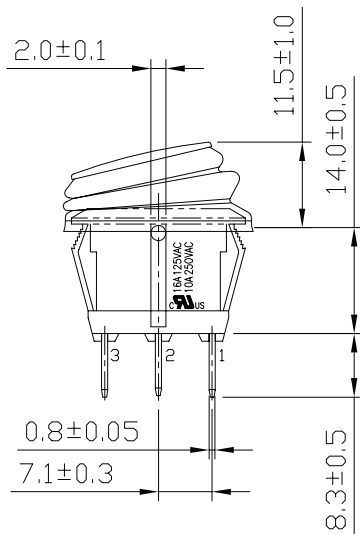
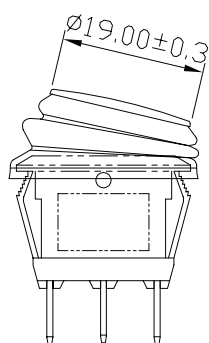
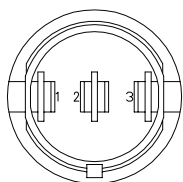
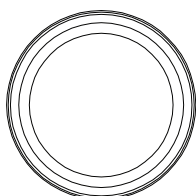


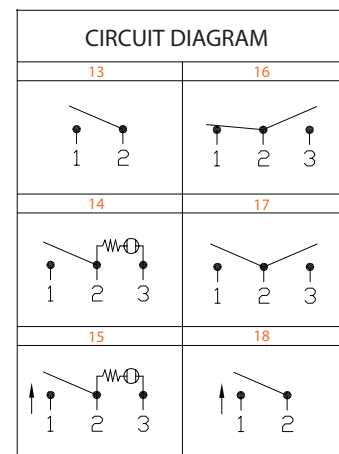
Rocker Switches

SP Waterproof Rocker Switch

RK66R Series



Note: The described Front Panel Mounting Hole is a proposal only and not universally valid. We recommend that customers test the applicability of the Front Panel Mounting Hole with switch samples and define the fitting Front Panel Mounting Hole measurements individually.



How to order:

RK66R 1 2 3 35

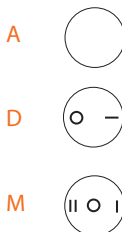
1 FUNCTIONS

- 13 2P SPST ON-OFF
- 14 3P SPST ON-OFF (Illuminated)
- 15 3P SPST MOM-OFF (Illuminated)
- 16 3P SPDT ON-ON
- 17 3P SPDT ON-OFF-ON
- 18 2P SPST MOM-OFF

2 TERMINATION

112	
113	
114	

3 ACTUATOR SHAPE



4 ROHS

35 RoHS Compliant

General Specifications:

FEATURES

- » Round rocker switch
- » Single pole
- » Illuminated or non-illuminated
- » IP 65

MATERIALS

- » Contacts: Silver alloy
- » Frame: Nylon66 (94-V2)- Black
- » Actuator: PC (94-V2)- Black
- » Terminals: Copper alloy
- » Lamp: Neon 125VAC 33KΩ/ 250VAC 150KΩ
- » Waterproof Rubber: Silicone

MECHANICAL

- » Temperature Range: -25°C to +85°C

ELECTRICAL

- » Electrical Life: 10,000 cycles
- » Rating: 16A125VAC, 10A250VAC, 20A 14VDC, 10A 28VDC
- » Dielectric Strength: 1500VAC 1 min.
- » Contact Resistance: 50mΩ max.
- » Insulation Resistance: 100MΩ min. at 500VDC
- » Operation: 400±100g