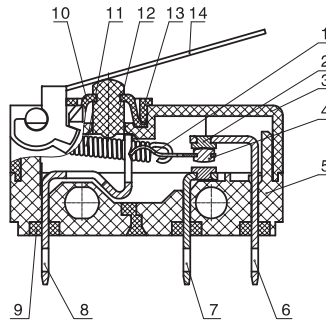
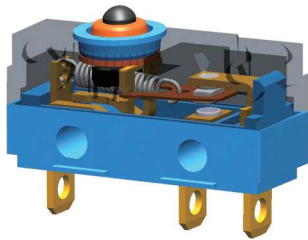


Micro Switches

Micro Switches Waterproof

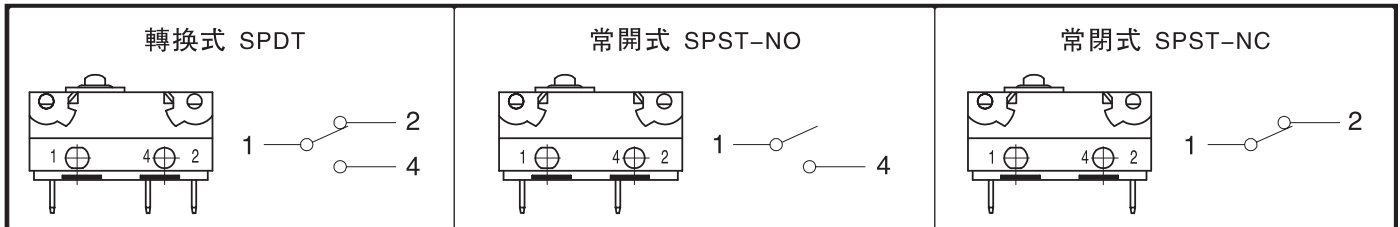
MP6 Series

Internal Configuration Drawing

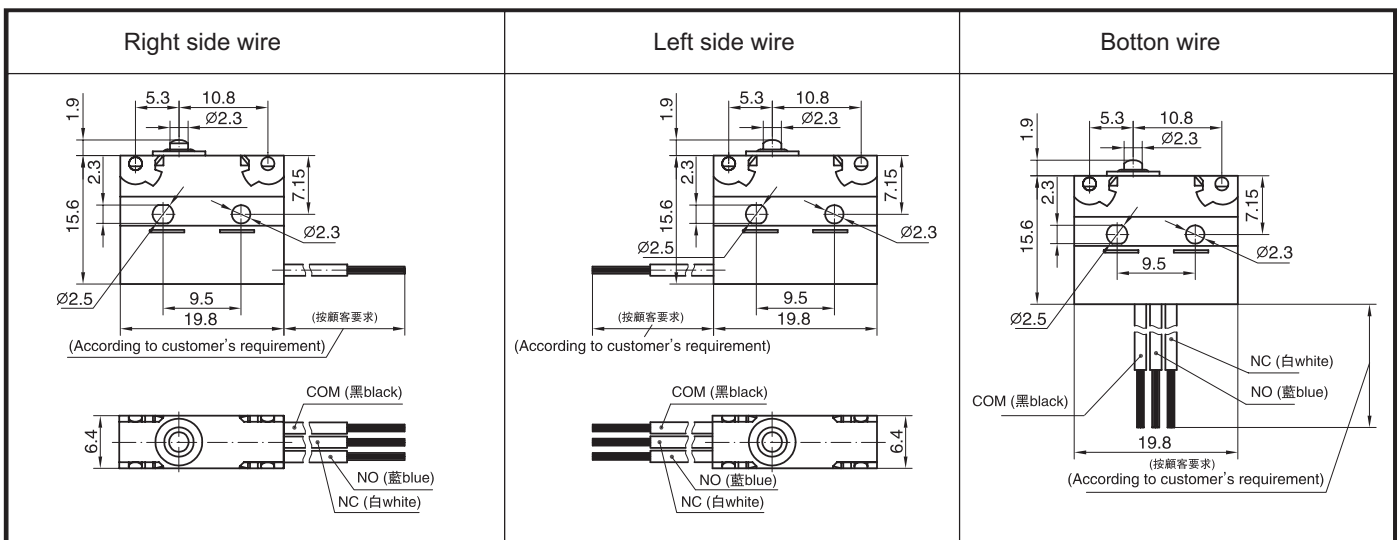


- | | |
|---------|---------------|
| 1: 可動片 | Moving piece |
| 2: 電觸點 | Contact |
| 3: 蓋 | Cover |
| 4: 電觸點 | Contact |
| 5: 基座 | Case |
| 6: 常閉端子 | NC terminal |
| 7: 常開端子 | NO terminal |
| 8: 支架 | Support |
| 9: 環氧樹脂 | Epoxy resin |
| 10: 密封圈 | Hermetic loop |
| 11: 拉簧 | Pull spring |
| 12: 按鈕 | Plunger |
| 13: 壓環 | Clasp ring |
| 14: 動臂 | Lever |

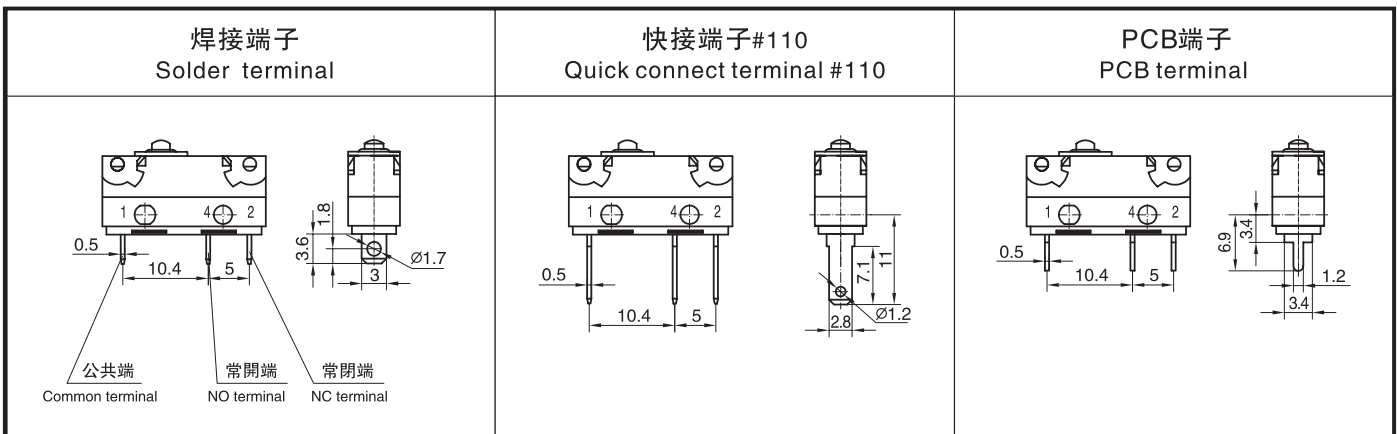
Circuit Illustration



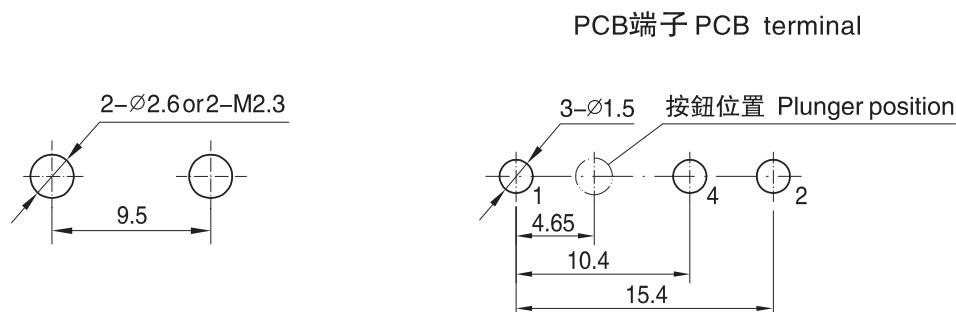
Outline Drawing of Wire Type



Terminal Dimensions



Mounting Hole Dimensions



Specifications

項目 Item	特性值 Value	
工作速度 Operating speed	0.1mm ~ 1m/s (無動臂時 No lever)	
工作頻率 Operating frequency	機械 60次/min; 電氣 25次/min Mechanical 60 cycles/min; Electrical 25 cycles/min	
絕緣電阻 Insulation resistance	≥100MΩ (500VDC)	
接觸電阻 Contact resistance	端子型 Terminal type ≤50mΩ 導線型 Wire type ≤100mΩ	
耐電壓 Test voltage	同極不相接端子間 Between terminals of the same polarity	AC1000V, 50/60Hz, 1min
	帶電金屬零件與地(外殼)之間、接線端與不帶電金屬件之間 Between current-carrying metal parts and Ground(case), and between each terminal and non-current-carrying metal parts.	AC1500V, 50/60Hz, 1min
抗振動 Vibration resistance	10 ~ 55Hz, 1.5mm 雙振幅 Double amplitude	
抗衝擊 Shock resistance	耐久: 1000m/S ² (約100G) 最大 Endurance: 1000m/S ² (approx 100G) max 誤動作: 300m/S ² (約30G) 最大 Wrong action: 300m/S ² (approx.30G) max	
防觸電保護等級 Electric shock proof protection degree	I 級 class	
外殼防護等級 Case protection degree	IEC IP67 (端子型的端子部位除外 Except terminal part of terminal type)	
壽命 Life	機械 ≥1,000,000次; Mechanical ≥1,000,000 cycles 電氣 ≥50,000次; Electrical ≥50,000 cycles	
安全認證 Safety approvals	UL、CUL、TUV、CE、ENEC、DEMKO、EK、CQC	