

Slide Switches

1P3T Slide Switches

SB44 Series

General Specifications



MATERIALS

- » Cover: Stainless steel
- » Base & Stem: UL 94V-0 High-temp thermoplastic in black color
- » Contact: Alloy copper
- » Terminals: Brass

MECHANICAL

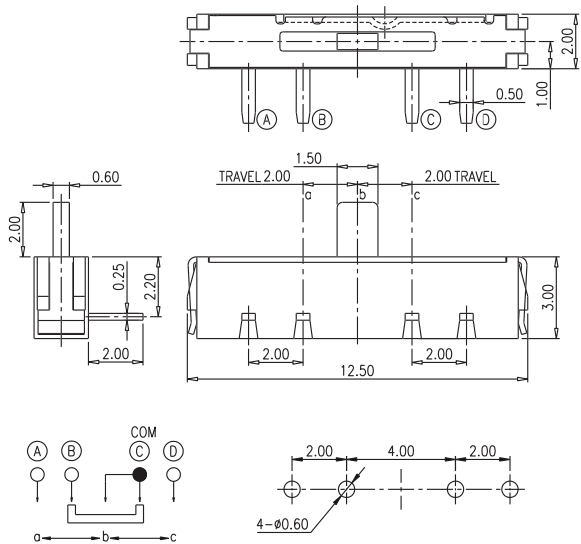
- » Mechanical Life: 10,000 cycles
- » Operating Force: 350gf max / 100gf min
- » Operating Temperature: -20°C to +70°C
- » Storage Temperature: -40°C to +85°C

ELECTRICAL

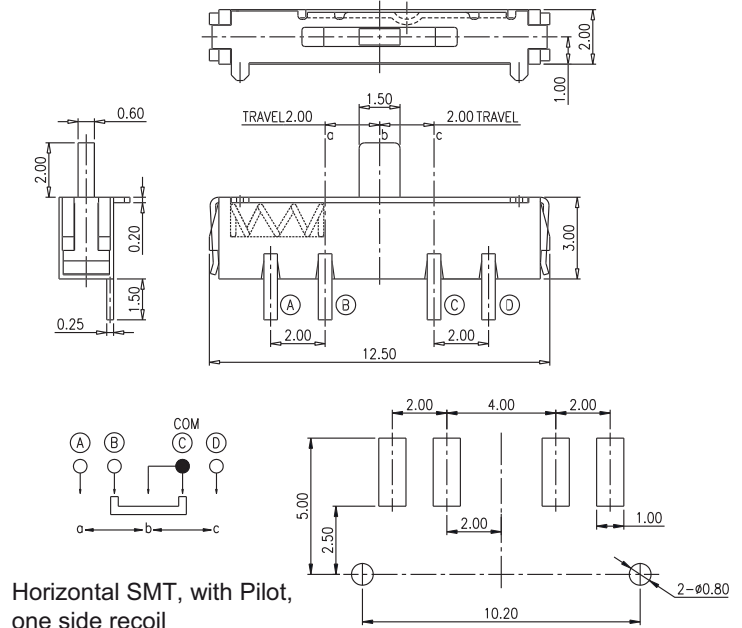
- » Electrical Life: 10,000 cycles
- » Non-Switching Rating: 100mA, 50VDC
- » Switching Rating: 25mA, 24VDC
- » Contact Resistance: 100mΩ max.
- » Insulation Resistance: 100MΩ min. (500VDC)

SOLDERING PROCESSES

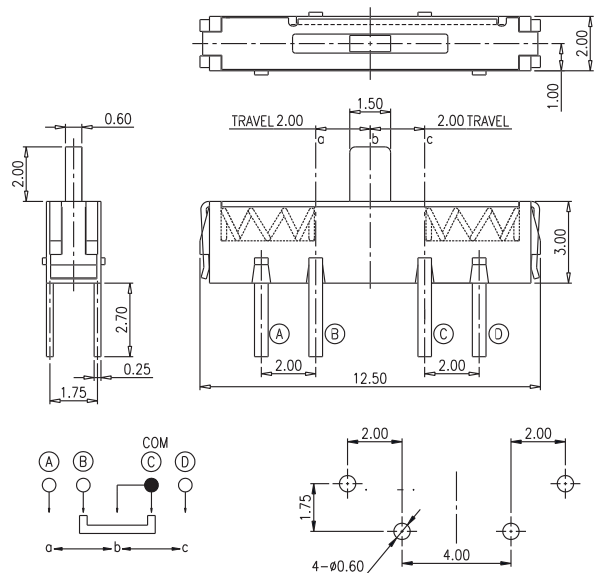
- » Hand Soldering: 30 watts, 350°C, 5 sec.
- » Reflow Soldering (SMT Terminals): 260°C



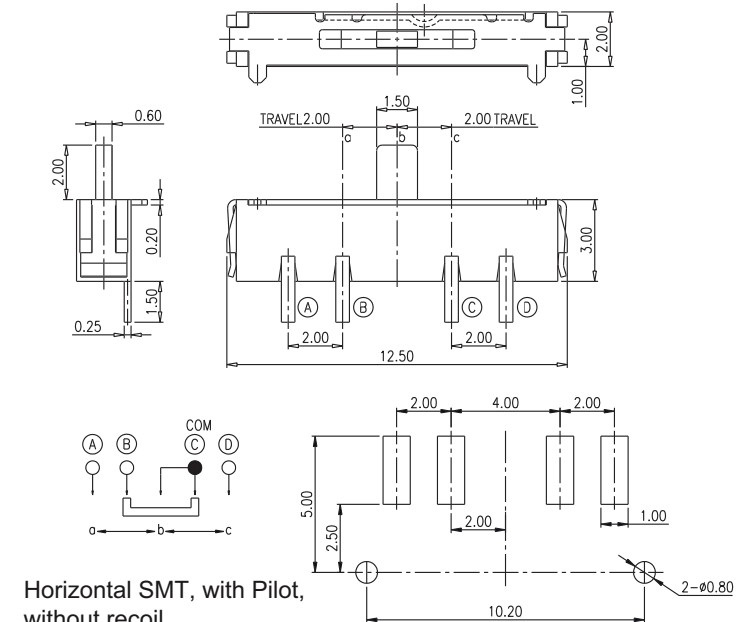
Horizontal THT, without Pilot



Horizontal SMT, with Pilot, one side recoil



Vertical THT, two side recoil



Horizontal SMT, with Pilot, without recoil

How to order:

SB44



1 ACTUATION:

- H Horizontal Slide
- V Vertical Slide (only THT)

3 TERMINALS:

- H THT
- M SMT

5 RECOIL SIDE:

- blank (for two side recoil & w/o recoil type)
- L Recoil on Left (Standard for One Side Recoil)
- R Recoil on Right

7 ROHS & LEAD FREE

- V RoHs & Lead Free Solderable
- H Halogen Free

2 PILOT:

- blank Without Pilot
- P With Pilot

4 RECOIL:

- blank Without Recoil
- 1 One Side Recoil
- 2 Two Side Recoil

6 OPERATING FORCE:

- 1 350gf (for detent type)
- 2 150gf (for two side recoil & w/o recoil type)

8 PACKAGING:

- BK Bulk (1500pcs)
- TB Tube (38pcs)
- TR Tape & Reel (1900pcs)

General Toleranc: ±0.2mm