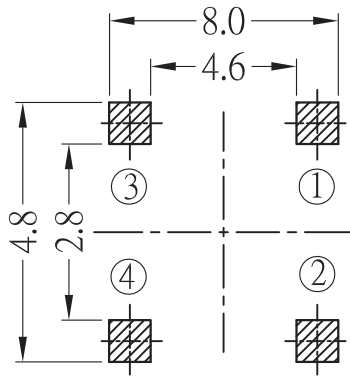
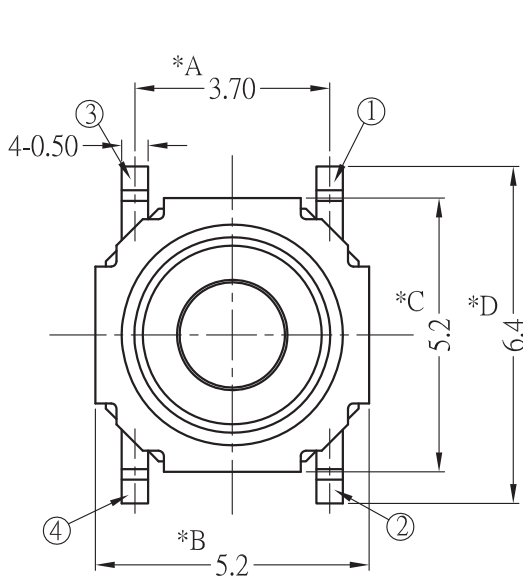


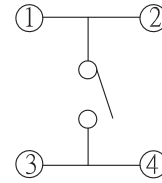
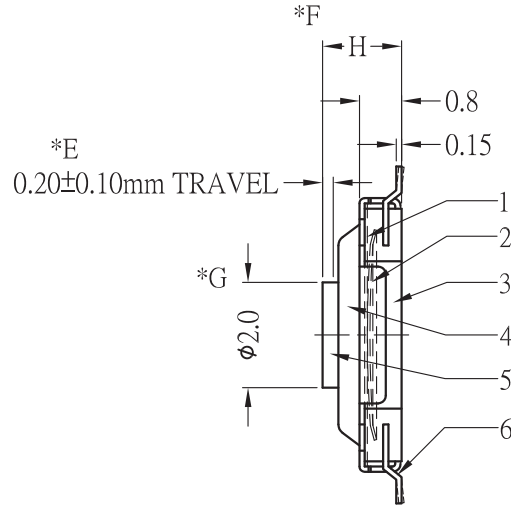
# Tactile Switches

5.2x5.2mm Low Thin Tactile Switches Metal Stem

TP79 Series



P.C.B.LAYOUT



SCHEMATIC

\*CRITICAL DIMENSION

NO.	PART NAME	MATERIAL	QTY	FINISHING
6	TERMINAL	BRASS	4	Ag COATING
5	STEM	BRASS	1	YELLOW
4	COVER	SUS	1	NATURAL
3	CASE	LCP	1	BLACK
2	CONTACT	SUS	1	Ag CLAD
1	SCREEN	PI	1	YELLOW

## How to order:

TP79 1 2 3

### 1 HEIGHT "H" :

- 15 1.5mm
- 20 2.0mm
- 30 3.0mm

### 2 OPERATING FORCE:

- A 130±30gf
- K 180±30gf
- C 250±50gf
- J 350±100gf

### 3 PACKAGING:

- TR Tape & Reel

## General Specifications:

### MECHANICAL

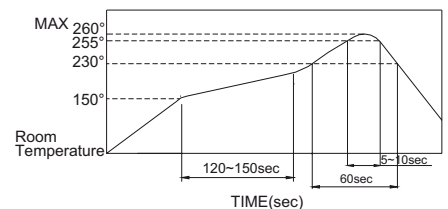
- > Stroke: 0.2±0.1mm
- > Operating Temperature Range: -25°C to +70 °C
- > Storage Temperature Range: -30°C to +80°C

### ELECTRICAL

- > Rating: 50mA 12VDC
- > Contact Resistance: 50mΩ Max.
- > Insulation Resistance: 100M Ω Min. at 100 VDC
- > Dielectric Strength: 250VAC / 1 minute ± 5s
- > Electrical Life: 300,000 cycles

### LEADFREE SOLDERING PROCESSES

- > Reflow Soldering: Vapor Phase & Reflow Soldering can be applied
- > Any Flux enters the Switch may fail the Conductivity
- > Temperature Profile:



General Tolerance: ± 0.2 mm