

Piezoelectric Switches

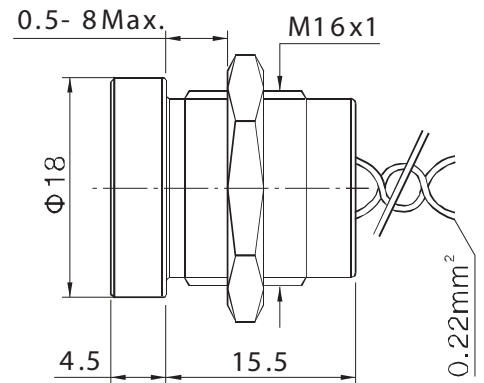
Piezoelectric Switches - Mounting Hole Ø16mm / Ø19mm / Ø22mm

PAS Series



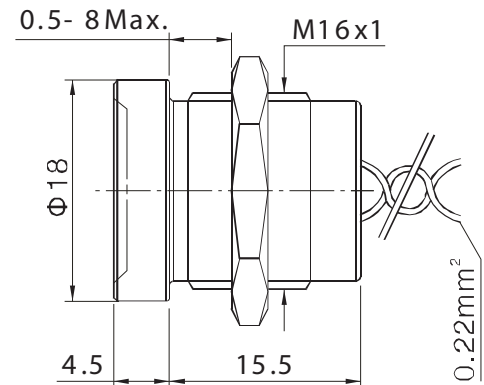
PAS165PSW

Non-illuminated, Operator Height 4.5mm, Flat



PAS165ZSW

Non-illuminated, Operator Height 4.5mm, With Finger Location



HOW TO ORDER:

PAS



1	2	3	4	5	6	7	8
MOUNTING DIMENSIONS:	OPERATOR:	ELECTRICAL FUNCTION:	TERMINALS:	COLOURS / MATERIALS:	SWITCH RATINGS:	LED COLOUR:	LAMP VOLTAGE:
16	5P Flat operator, height 4,5 1P Flat operator, height 1.0 (non illuminated) 5Z With finger location, height 4,5 (non- illuminated)	MO Momentary NO (pulse) MC Momentary NC (pulse) LO Latching (ON-OFF)	W Lead(length 30cm) Other Lead length and connection mode can be customized.	Blank Natural anodized G Blue anodized A Black anodized U Gold anodized F Green anodized C Red anodized S Stainless steel	Blank 200mA 24VAC/DC	Blank Non-illum. C Red F Green E Yellow D Orange G Blue B White	Blank Non-illum. 05 Standard Ring 5VDC 12 Standard Ring 12VDC 24 Standard Ring 24VDC

19	3P flat operator, height 3.0 3Z with finger location, height 3.0	MO Momentary NO (pulse) MC Momentary NC (pulse) LO Latching (ON-OFF)	W Lead(length 30cm) Other Lead length and connection mode can be customized.	Blank Natural anodized G Blue anodized A Black anodized U Gold anodized F Green anodized C Red anodized S Stainless steel	Blank 200mA 24VAC/DC	Blank Non-illum. C Red F Green E Yellow D Orange G Blue B White	Blank Non-illum. 05T Thin Ring 5VDC 12T Thin Ring 12VDC 24T Thin Ring 24VDC 05L Large Ring 5VDC 12L Large Ring 12VDC 24L Large Ring 24VDC
----	---	--	---	---	-------------------------	---	---

22	3P Flat operator, height 3.0 (Not available with large illuminated ring.) 3Z With finger location, height 3.0, (Not available with illuminated ring). 5P Flat operator, height 4.5 (Available with large illuminated ring only.)	MO Momentary NO (pulse) MC Momentary NC (pulse) LO Latching (ON-OFF)	W Lead(length 30cm) Other Lead length and connection mode can be customized.	Blank Natural anodized G Blue anodized A Black anodized U Gold anodized F Green anodized C Red anodized S Stainless steel	Blank 200mA 24VAC/DC	Blank Non-illum. C Red F Green E Yellow D Orange G Blue B White	Blank Non-illum. 05T Thin Ring 5VDC 12T Thin Ring 12VDC 24T Thin Ring 24VDC 05L Large Ring 5VDC 12L Large Ring 12VDC 24L Large Ring 24VDC 05D Dot 5VDC 12D Dot 12VDC 24D Dot 24VDC
----	--	--	---	---	-------------------------	---	---

All specifications are restricted to QA test criteria. DC: 20101102 MD: D.HUA APP: D.XUE DC: 2015-03-30. UPD: 2017-06-07

Piezoelectric Switches

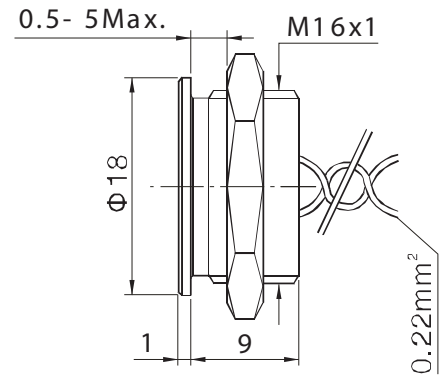
Piezoelectric Switches - Mounting Hole Ø16mm / Ø19mm / Ø22mm

PAS Series



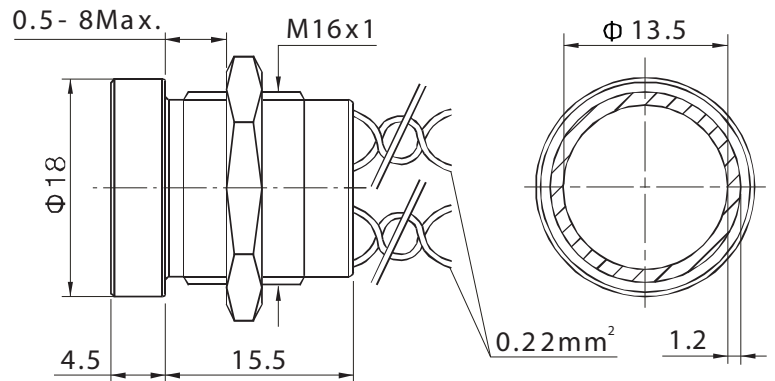
PAS161PSW

Non-illuminated, Operator Height 1.0mm, Flat



PAS165PSWC_

Standard illuminated Ring, Operator Height 4.5mm, Flat



SPECIFICATIONS:

Environmental Specifications

- > Sealing: IP68 (illum.) IP69K (non illum.)
- > Vibration Resistance: 10-500 Hz / 10g
- > Operating Temperature: -40°C to +75°C

MATERIALS

- > Case: Aluminium, anodized
- > Multi-wire leads section 0.22mm² length 300mm, twisted by pair
- > Cable, length 300mm, section depending on switch model
- > PC terminals: Bronze, tin plated

Electrical and General Specifications

- > Max. current/voltage rating: 1A 24VAC/DC or 200mA 24VAC/DC depending on version
- > Switch Resistance ON: 10 Ohm max.
- > Switch Resistance OFF: 5M Ohm min.
- > Operating Force: 2 to 6N
- > Life Expectancy: 50 million cycles
- > LED Consumption: Illuminated dot: 10mA
Illuminated ring: 20mA

Finger press ure applied to switch

1 = pressure/Gg
0 = no pressure/hG

Output \overline{U} Vw

- Momentary NO (pulse)

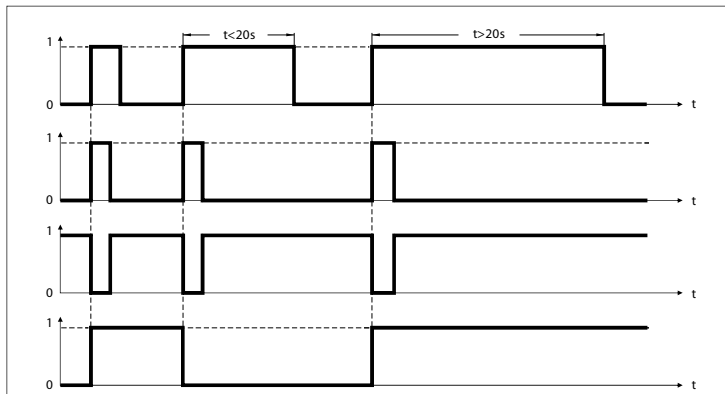
No external power supply required

- Momentary NC (pulse)

No external power supply required

- Latching (ON-OFF)

Requires external power supply



	Non-illuminated/ fgh	1 LED*
Momentary NO (pulse)		
Momentary NO (pulse)		
Latching (ON-OFF)		

NOTE: X means the color of the wire depends on the color of the LED.

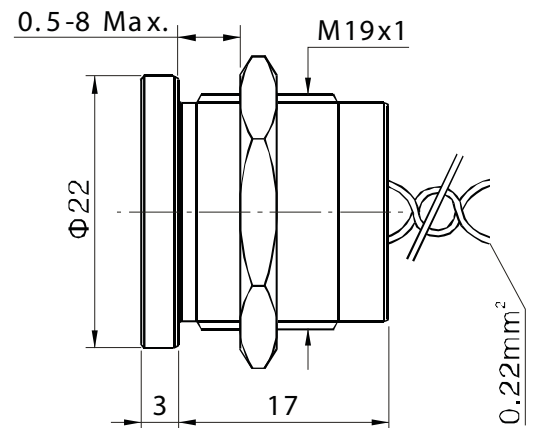
Piezoelectric Switches

Piezoelectric Switches - Mounting Hole $\varnothing 16\text{mm}$ / $\varnothing 19\text{mm}$ / $\varnothing 22\text{mm}$

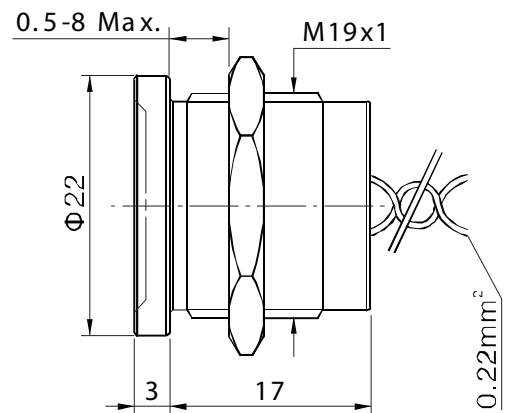
PAS Series



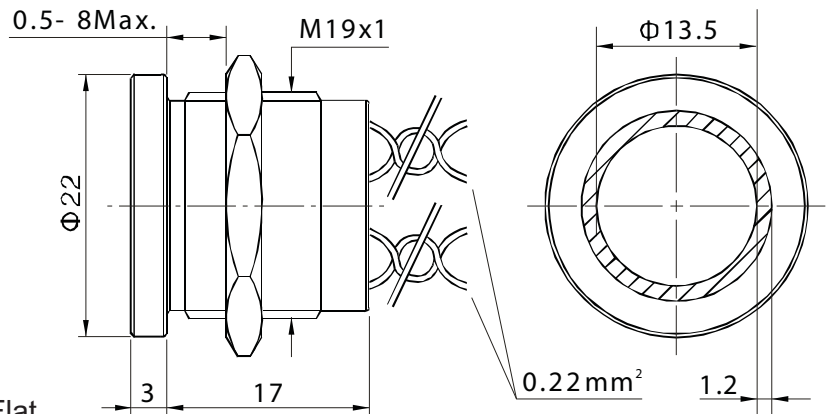
PAS193PSW
Non-illuminated, Operator Height 3.0mm, Flat



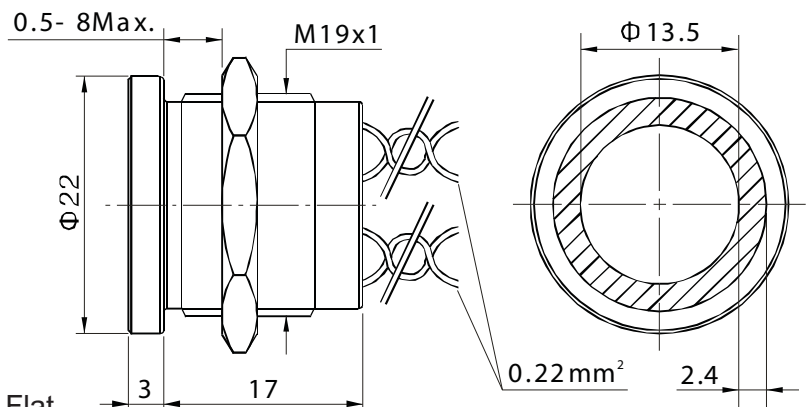
PAS193ZSW
Non-illuminated, Operator Height 3.0mm, With Finger Location



PAS193PSWC_T
Thin illuminated Ring, Operator Height 3.0mm, Flat



PAS193PSWC_L
Large illuminated Ring, Operator Height 3.0mm, Flat



Piezoelectric Switches

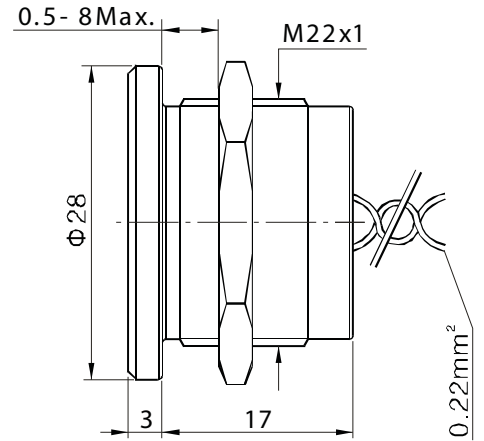
Piezoelectric Switches - Mounting Hole $\varnothing 16\text{mm}$ / $\varnothing 19\text{mm}$ / $\varnothing 22\text{mm}$

PAS Series



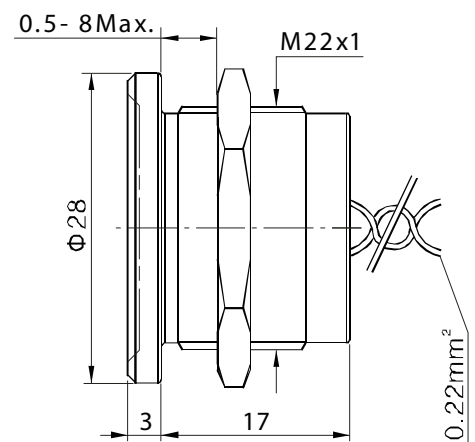
PAS223PSW

Non-illuminated, Operator Height 3.0mm, Flat



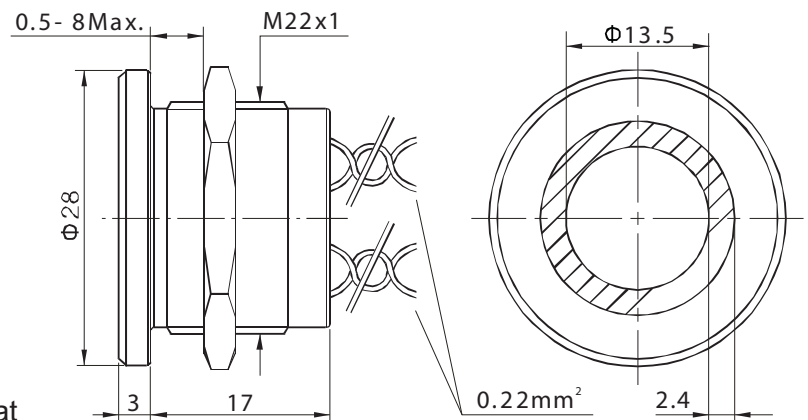
PAS223ZSW

Non-illuminated, Operator Height 3.0mm, With Finger Location



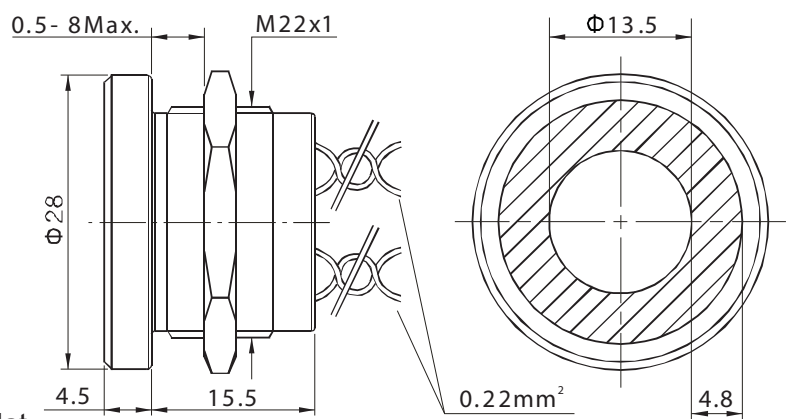
PAS223PSWC_T

Thin illuminated Ring, Operator Height 3.0mm, Flat



PAS223PSWC_L

Large illuminated Ring, Operator Height 3.0mm, Flat



Piezoelectric Switches

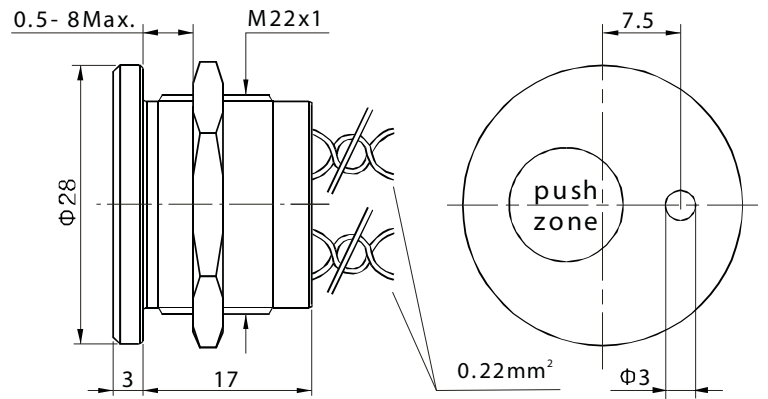
Piezoelectric Switches - Mounting Hole $\varnothing 16\text{mm}$ / $\varnothing 19\text{mm}$ / $\varnothing 22\text{mm}$

PAS Series



PAS223PSWF__D

Illuminated Dot, Green Anodized, Operator Height 3.0mm, Flat



PAS223ZSWC__D

Illuminated Dot, Red Anodized, Operator Height 3.0mm, With Finger Location

