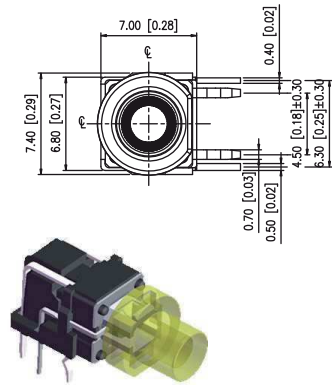


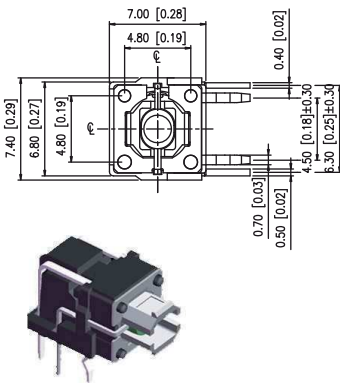
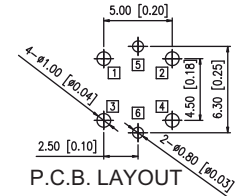
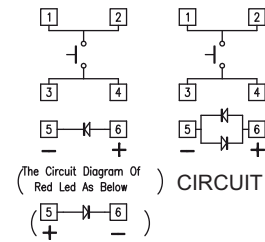
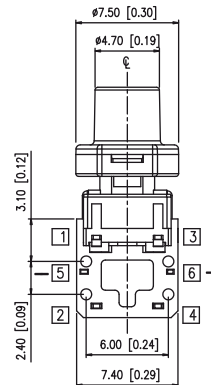
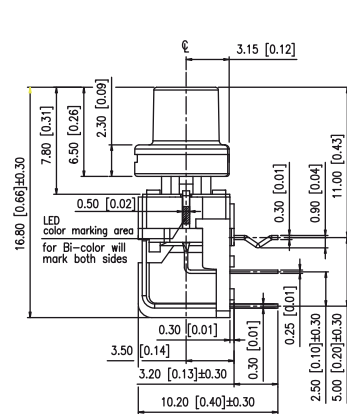
# Illuminated Switches

## 7mm Size right Angle Type illuminated Tactile Switch

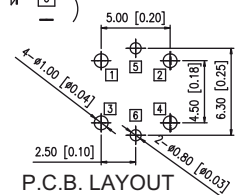
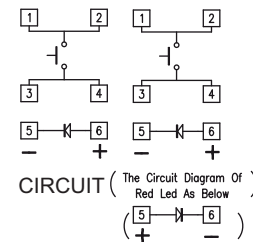
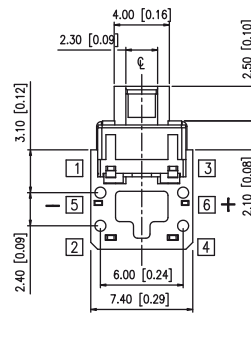
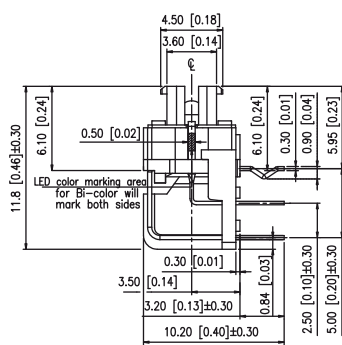
## TL7 Series



TL7LN...B...R1A1...



TL7LN...B...N...

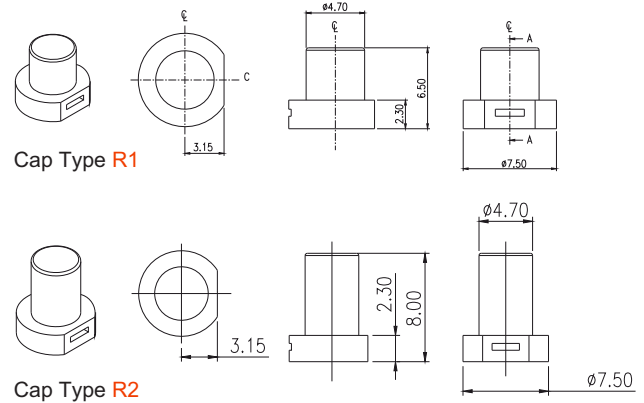


### SPECIFICATIONS:

- > Rating: 50mA 12VDC
- > Contact Resistance: 100 mOhms Max.
- > Insulation Resistance: 100 MOhms Min. (500VDC)
- > Dielectric Strength: 250VAC 1 Minute
- > Electrical Life: 500,000 Cycles
- > Stroke: 0.20±0.10 mm
- > Operating Temperature: -40°C ~ +85°C
- > Preservative Temperature: -40°C ~ +85°C (Single Condition)  
-20°C ~ +60°C (Taping Condition)
- > Wave Soldering Conditions: 260°C Max. 5 Seconds

### MATERIALS:

- > Contact & Cover: Stainless Steel
- > Terminals: Brass with Silver plated
- > Base/Stem: LCP UL94V-0
- > Cap: PES UL94V-0



### How to order:

TL7

UNIT: mm [inch]  
General Tolerance: ±0.2mm

- |  |   |   |   |
|--|---|---|---|
| <p><b>1 ILLUMINATION:</b><br/>L with LED<br/>N without LED</p> <p><b>2 GROUND:</b><br/>G with Ground Pins<br/>N without Ground Pins</p> <p><b>3 OPERATING FORCE:</b><br/>16 160 gf<br/>26 260 gf</p> <p><b>4 LED TYPE:</b><br/>A See Drawing:<br/>B See Drawing:<br/>N without LED</p> | <p><b>5 LED COLOR:</b><br/>C=Red<br/>F=Green<br/>G=Blue<br/>E=Yellow<br/>B=White<br/>PF=PureGreen<br/>MB=Amber/White<br/>MF=Amber/Green<br/>MPF=Amber/PureGreen<br/>CF=Red/Green,<br/>CG=Red/Blue<br/>FE=Green/Yellow<br/>blank=without LED</p> | <p><b>6 CAP TYPE:</b><br/>N without Cap<br/>R1 Cap Type R1 (see drawings)<br/>R2 Cap Type R2 (see drawings)</p> <p><b>7 CAP COLOR:</b><br/>A Black<br/>S Silver<br/>T Transparent<br/>blank without Cap</p> | <p><b>8 CAP MARKING:</b><br/>N with Cap, but no Marking<br/>blank without Cap</p> <p>1  2  3 </p> <p>4  5 </p> <p><b>9 MATERIALS:</b><br/>N Standard<br/>H Halogen-Free</p> <p><b>10 PACKAGING:</b><br/>TB Tube<br/>TY Tray</p> |
|--|---|---|---|