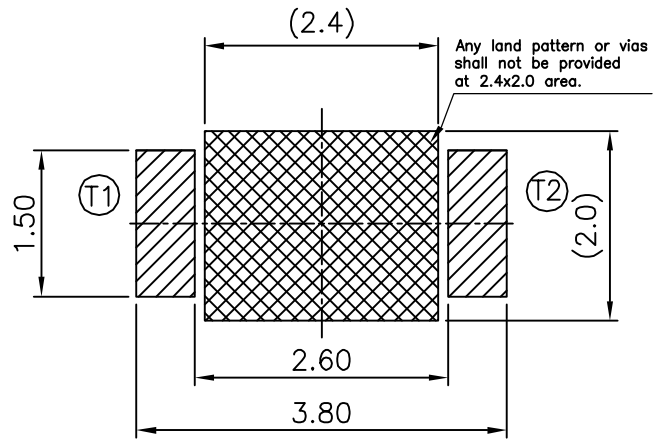
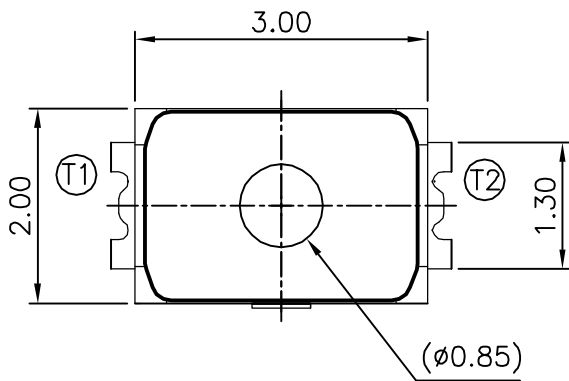


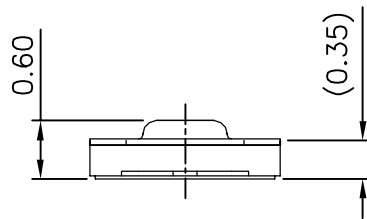
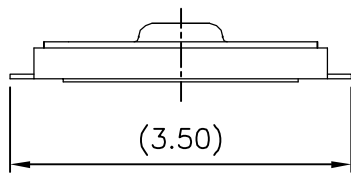
Tactile Switches

3x2mm J-SMT Switch Halogen Free

P/N: TP97180TR



PCB LAYOUT



CIRCUIT

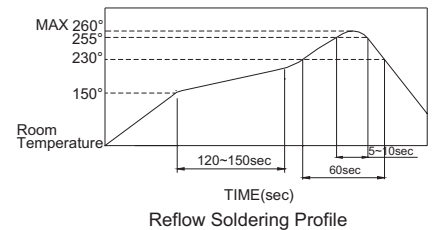
Unit: mm [inch]
General Tolerance: ±0.2mm

SPECIFICATIONS:

- > Rating: 10uA 1VDC to 50mA 12VDC
- > Contact Resistance: 500 mohm Max.
- > Insulation Resistance: 100 Mohm Min. at 100VDC
- > Dielectric Strength: 100VAC 1 Minute
- > Operating Force: 180±50gf
- > Electrical Life: 300,000 Cycles
- > Stop Strength: 3kgf Max. vertical static load 15 Seconds
- > Stroke: 0.13±0.05mm
- > Operating Temperature: -40°C ~ +85°C
- > Reflow Soldering: 260°C 10 Seconds Max.
- > Packaging Unit: 8000 pcs per Reel

MATERIALS:

- > Cover: Stainless Steel
- > Base: High Temperature Thermoplastic black
- > Stem: Kapton
- > Contact: Stainless Steel with Silver Cladding
- > Terminals: Phosphorbronze with Silver plated
- > Tape: Kapton



Reflow Soldering Profile

