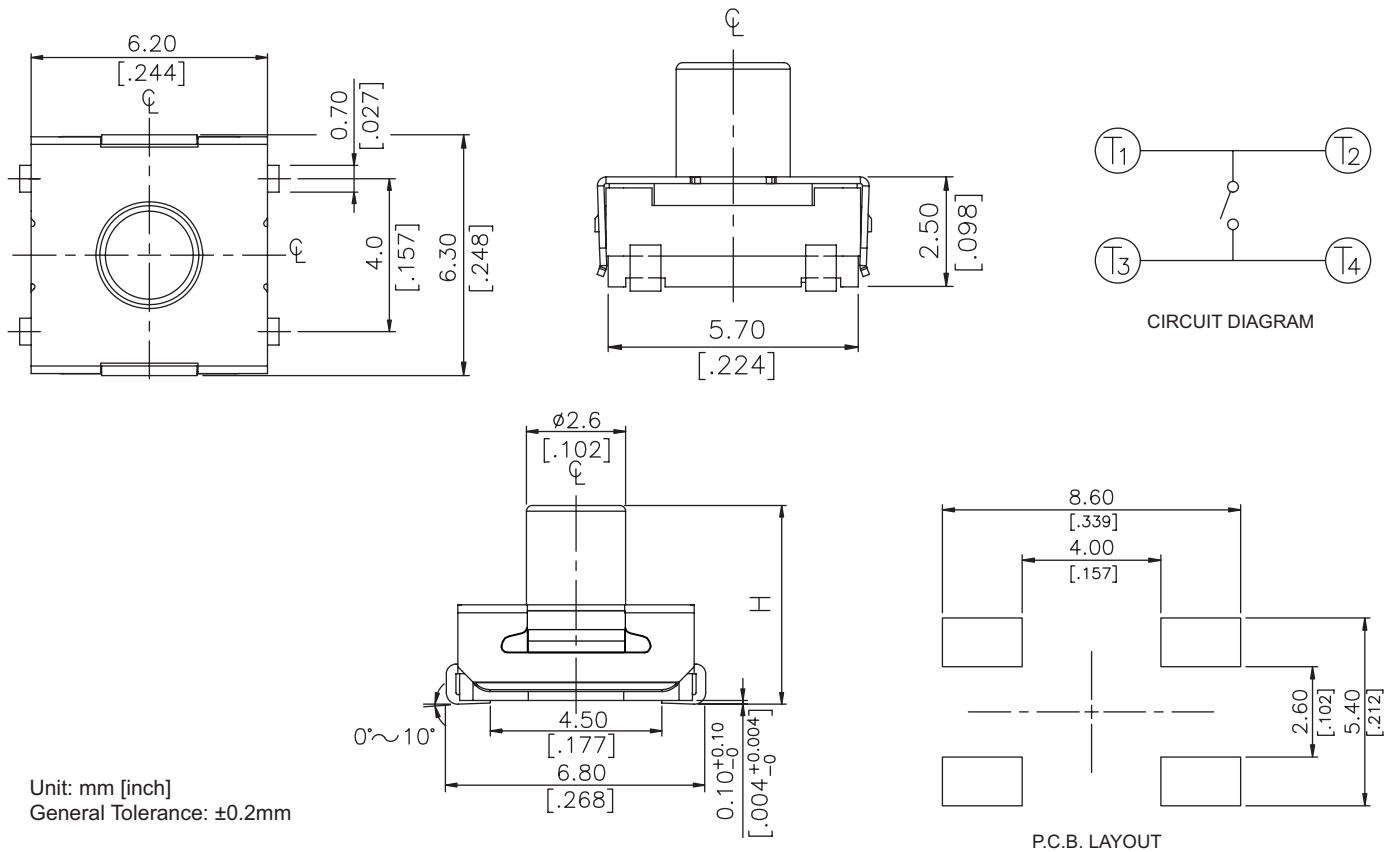


Tactile Switches

Washable 6mm Size SMT Tactile Switch IP67

TP30 Series

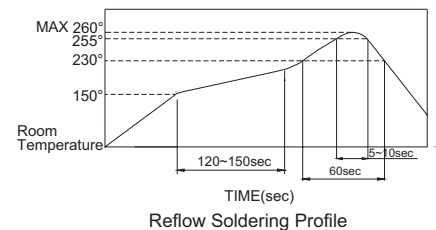


SPECIFICATIONS:

- > Rating: 50mA 12VDC
- > Contact Resistance: 100 mohm Max.
- > Insulation Resistance: 100 Mohm Min. at 500VDC
- > Dielectric Strength: 250VAC 1 Minute
- > Operating Force: 400±100gf or 200±100gf
- > Electrical Life: 300,000 Cycles
- > Stop Strength: 3kgf Max. vertical static load 15 Seconds
- > Stroke: 0.60±0.20mm (400gf); 0.40±0.20mm (200gf)
- > Operating Temperature: -40°C ~ +85°C
- > Reflow Soldering: 260°C 10 Seconds Max.
- > Packaging Unit: 900/reel (H=5.2mm); 1900/reel (H=3.5mm)
- > Protection Degree: IP67

MATERIALS:

- > Cover: Stainless Steel
- > Base: High Temperature Thermoplastic Nylon UL94V-0 black
- > Stem: Silicon Rubber
- > Contact: Stainless Steel (with Gold or Silver plated)
- > Terminals: Brass with Silver plated
- > Standard: RoHS compliant and Halogen free



How to order:

TP30 1 2 3 4



- | | | | |
|--|---|---|--|
| <p>1 CONTACT PLATING:</p> <p>AU Gold Plating</p> <p>AG Silver Plating</p> | <p>2 TOTAL HEIGHT "H":</p> <p>35 H = 3.50mm</p> <p>52 H = 5.20mm</p> | <p>3 OPERATING FORCE:</p> <p>J 400±100gf (Stem Color Salmon)</p> <p>N 200±100gf (Stem Color Brwon)</p> | <p>4 PACKAGING:</p> <p>TR Tape & Reel</p> |
|--|---|---|--|