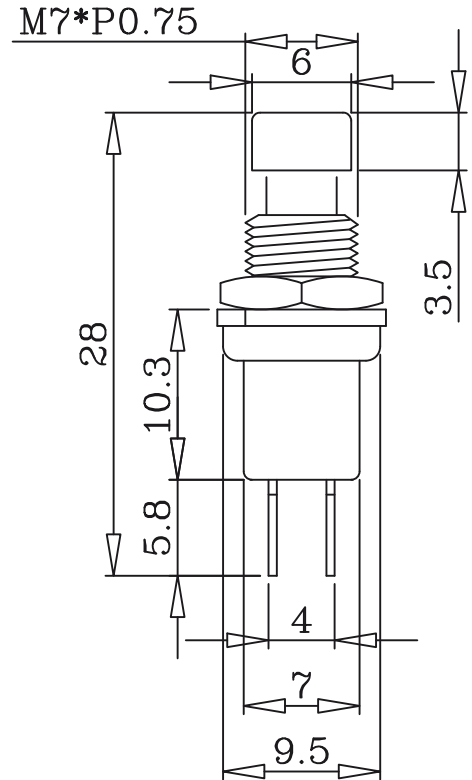
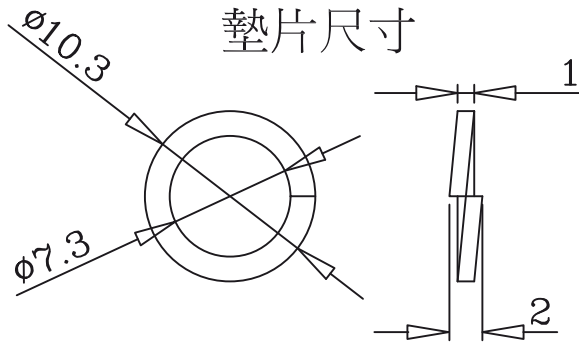
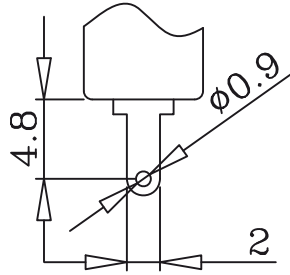
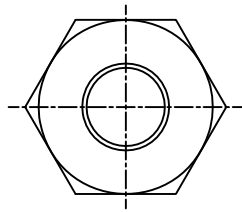


Pushbutton Switches

SPST Pushbutton Switches

PB69 Series



HOW TO ORDER:

PB69 ¹ ²

1 FUNCTION:
A OFF-(ON)
B ON-(OFF)
C OFF-ON

2 CAP COLOR:
B White
A Black
C Red
D Orange
E Yellow
F Green
G Blue
K Brown
H Gray

GENERAL SPECIFICATIONS:

- > Rating: 1A 125 / 250VAC
- > Contact Resistance: 30 mohm Max. initial 2-4VDC
- > Insulation Resistance: 100 Mohm Min. at 500VDC
- > Dielectric Strength: 1,000 VAC 1 Minute
- > Circuit: Single Pole Single Throw
- > Mechanical Life: 10,000 make-and-Break Cycles
- > Electrical Life: 5,000 make-and-Break Cycles
- > Operating Force: >0.3kg
- > Operating Temperature: -30°C ~ +85°C