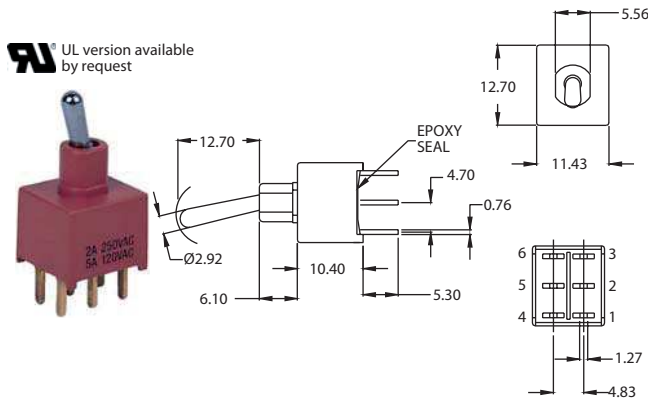


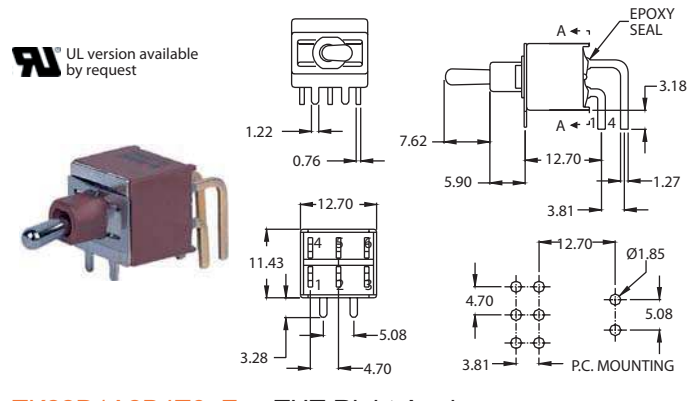
# Toggle Switches

## Sealed Miniature DPDT Toggle Switches

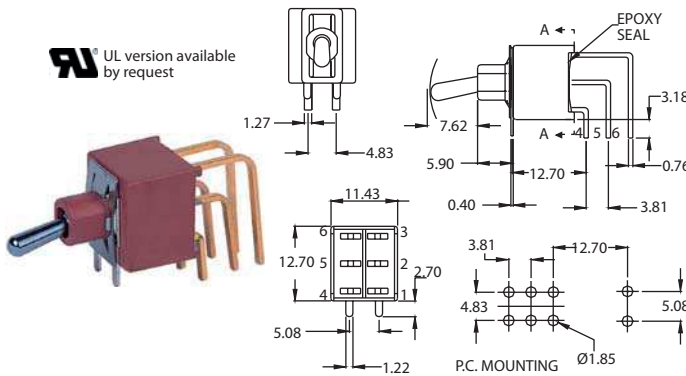
## TK22 Series



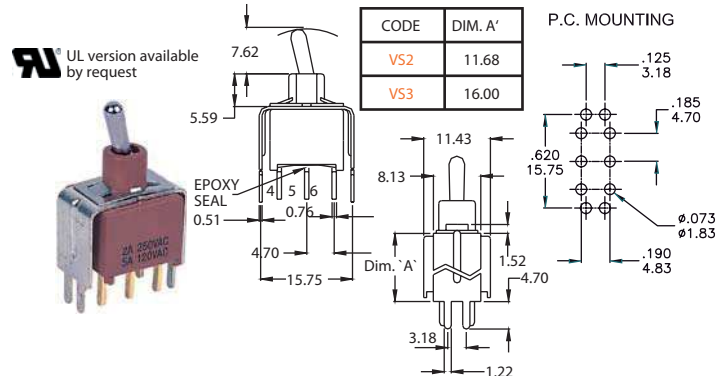
TK22D1A1B4T2\_E THT Straight



TK22D1A2B4T6\_E THT Right Angle



TK22D1A2B4T7\_E THT Vertical Right Angle



TK22D1A2B4VS2\_E THT with V-Bracket

No. Poles	Model No.	Switch Function			Connected Terminals / Schematic		
		Position 1	Position 2	Position 3	Position 1	Position 2	Position 3
DP	TK22D1	ON	NONE	ON	2-3, 5-6	N/A	2-1, 5-4
DP	TK22D2	ON	NONE	MOM		N/A	
DP	TK22D3	ON	OFF	ON			
DP	TK22D4	MOM	OFF	MOM	OPEN	N/A	
DP	TK22D5	ON	OFF	MOM			

No. Poles	Model No.	Switch Function			Connected Terminals / Schematic		
		Position 1	Position 2	Position 3	Position 1	Position 2	Position 3
DP	TK22D6	ON	ON	ON	2-3, 5-6	2-3, 5-4	2-1, 5-4
DP	TK22D7	MOM	ON	MOM			
DP	TK22D8	ON	ON	MOM			

### How to order:

TK22

- 1** POLES & SWITCH FUNCTION:
  - D1 DP ON-NONE-ON
  - D2 DP ON-NONE-MOM
  - D3 DP ON-OFF-ON
  - D4 DP MOM-OFF-MOM
  - D5 DP ON-OFF-MOM
  - D6 DP ON-ON-ON
  - D7 DP MOM-ON-MOM
  - D8 DP ON-ON-MOM
- 2** ACTUATOR (Details see page A08):
  - A1 Height=12.70 mm
  - A2 Height=7.62 mm
  - AA Height=12.70 mm, plastic, anti-static, black
  - AB Height=7.62 mm, plastic, anti-static, black
  - AC Height=12.70 mm, plastic, anti-static, silver
- 3** BUSHING (Details see page A08):
  - B1 Height = 8.80 mm
  - B4 Height = 6.10 mm
- 4** TERMINALS (Details see page A08):
  - T1 Solder Lug
  - T2 PC Thru Hole

- T51** Wire Wrap, Height = 18.70 mm
- T52** Wire Wrap, Height = 24.20 mm
- T53** Wire Wrap, Height = 10.55 mm
- T54** Wire Wrap, Height = 26.97 mm
- T6** PC Thru Hole, Right Angle
- T6N** PC Thru Hole, Right Angle, Snap-in
- T7** PC Thru Hole, Vertical Right Angle
- VS2** V-Bracket, Height = 11.68 mm
- V2N** Snap-in V-Bracket, Height = 11.68 mm
- VS3** V-Bracket, Height = 16.00 mm
- 5** CONTACT MATERIAL:
  - AG Silver
  - AU Gold
  - UT Gold, Tin-lead
  - GT Silver, Tin-lead
  - UG Gold over Silver
  - UGT Gold over Silver, Tin-lead
- 6** EPOXY:
  - E Epoxy (Standard)
- 7** ROHS & LEADFREE:
  - blank RoHS compliant (Standard)
  - V RoHS compliant & Leadfree

### General Specifications:

- MATERIALS**
- » Movable Contact & Fixed Terminals:
    - AG, GT, UG & UGT: Silver plated over copper alloy
    - AU & UT: Gold over nickel plated over copper alloy
- MECHANICAL**
- » Operating Temperature: -30°C to +85°C
  - » Mechanical Life: 30,000 cycles
  - » Degree of Protection: IP67
- CONTACT RATING**
- » AG, GT, UG & UGT: 5A120VAC/28VDC 2A250VAC
  - » AU & UT: 0.4VA max. 20V max. (AC/DC)
- ELECTRICAL**
- » Contact Resistance: 10mΩ max. initial @ 2-4VDC 100mA for silver & gold plated contacts
  - » Insulation Resistance: 1,000M Ω min.

All specifications are restricted to QA test criteria. DRW: B.R. JIN, CHK: P.G. GAO, APP: F. H. KANG, DC: 2009-07-22, UPD: 2025-03-11.

# Toggle Switches

## Additional Informations for TK21, 22 & 23 Series

### ACTUATOR OPTIONS

<b>A1</b> Standard when order with T1 & T2 Terminations	<b>A2</b> Standard with T6, T7, VS2 & VS3 Terminations	<b>AA</b> ESD Plastic Actuator	<b>AB</b> ESD Plastic Actuator

### BUSHING OPTIONS

<b>B1</b> Standard for T1 termination	<b>B4</b> Standard for T2, T6, T7 & VS Terminations

### TERMINAL OPTIONS

				<table border="1"> <thead> <tr> <th>CODE</th> <th>DIM. 'A'</th> </tr> </thead> <tbody> <tr> <td>T51</td> <td>18.70</td> </tr> <tr> <td>T52</td> <td>24.20</td> </tr> <tr> <td>T53</td> <td>10.55</td> </tr> <tr> <td>T54</td> <td>26.97</td> </tr> </tbody> </table>	CODE	DIM. 'A'	T51	18.70	T52	24.20	T53	10.55	T54	26.97
CODE	DIM. 'A'													
T51	18.70													
T52	24.20													
T53	10.55													
T54	26.97													
<b>T1</b> Solder Lug	<b>T2</b> THT	<b>T3</b> Quick Connect	<b>T5</b> Wire Wrap											

<b>T6N</b>	<b>T7N</b>	<b>V2N</b>

### HARDWARE

<b>NUT</b>	<b>LOCKING RING</b>	<b>LOCK WASHER</b>