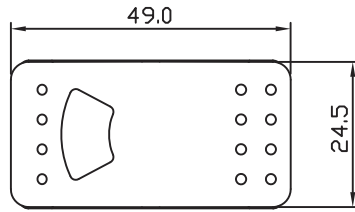
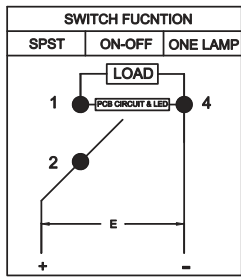


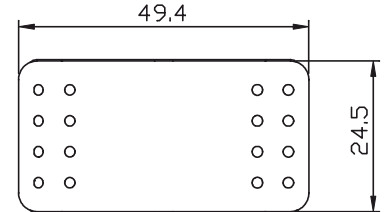
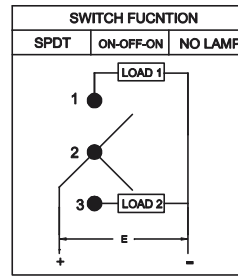
# Rocker Switches

37x21mm Heavy Duty Rocker Switches IP67

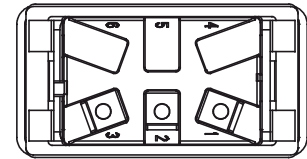
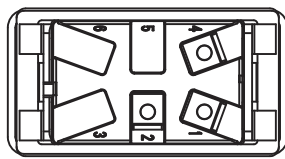
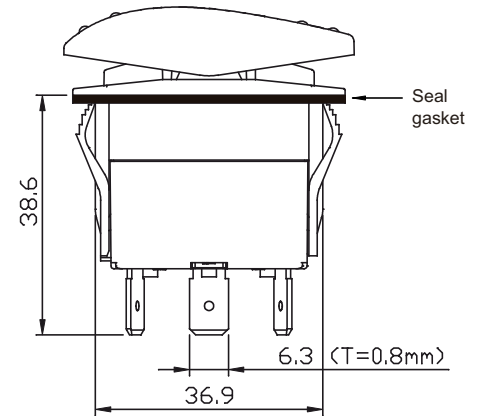
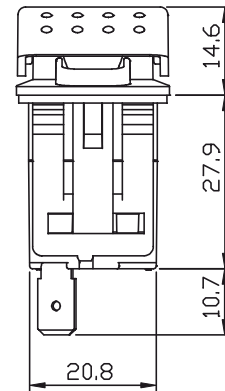
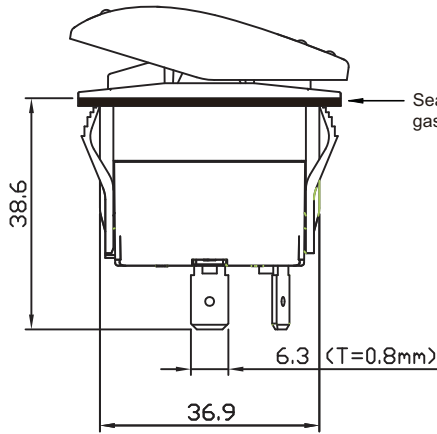
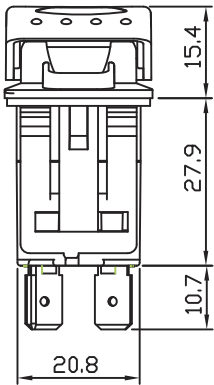
RK30W Series



ON - NONE - OFF  
pos.1 pos.2 pos.3  
RED LED  
24V



ON - OFF - ON  
pos.1 pos.2 pos.3



RK30WS1QE1N24HA

RK30WS3QB1NNHA

## How to order:

RK30W

**1 POLES:**  
S Single Pole  
D Double Pole

**2 SWITCHING:**  
1 ON - OFF  
2 ON - ON  
3 ON-OFF-ON  
4 (ON)-OFF  
5 (ON) - ON  
6 (ON)-OFF-(ON)  
7 (ON)-OFF-ON  
8 ON-(OFF)

**3 TERMINAL:**  
Q 4.7mm TAB,  
0.8mm Thick,  
Ø1.6mm  
W Screw

**4 ACTUATOR:**  
A A Type (hard PC)  
B B Type (soft TPR)  
C C Type (hard PC)  
D D Type (hard PC)  
E E Type (soft TPR)  
F F Type (soft TPR)

**5 ACTUATOR MARKING:**  
N No Marking

**6 ILLUMINATION:**  
N No Illuminated  
L 100-125VAC  
G 200-250VAC  
6 LED 6VDC  
12 LED 12VDC  
24 LED 24VDC

**7 BASE COLOR:**  
H Gray (Std.)  
A Black

**8 ACTUATOR COLOR:**  
A Black (Std.)  
H Gray

## General Specifications:

### FEATURES

Heavy duty waterproof IP67  
µ40T85/5, UL61058-1 approved

### MECHANICAL

Temperature Range: -40°C to +85°C

### ELECTRICAL

Electrical Life: 10,000 cycles

Rating: 16(8)A 125/250V, ~µT55, ~µ40T85/55 (cURus, ENEC15)  
20(8)A 125/250V, ~µT55, ~µ40T85/55 (cURus, ENEC15)  
16A DC 6-30V ~µT55, ~µ40T85/55 (cURus, ENEC15)

Initial Contact Resistance: 20m Ω max.

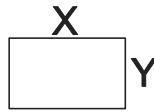
Insulation Resistance: 100M Ω min. at 500VDC

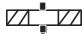
# Rocker Switches

37x21mm Heavy Duty Rocker Switches IP67

RK30W Series

## PANEL SIZE



	X	Y
1.0~1.5	37.3 <sup>+0.0</sup> <sub>-0.1</sub>	21.2 <sup>+0.1</sup> <sub>-0.0</sub>
2.5~3.0	37.5 <sup>+0.0</sup> <sub>-0.1</sub>	21.2 <sup>+0.1</sup> <sub>-0.0</sub>
3.5~4.5	37.7 <sup>+0.0</sup> <sub>-0.1</sub>	21.2 <sup>+0.1</sup> <sub>-0.0</sub>

Panel Cut-out (assembled together with seal gasket)

## ACTUATOR

### ACTUATOR TYPE

