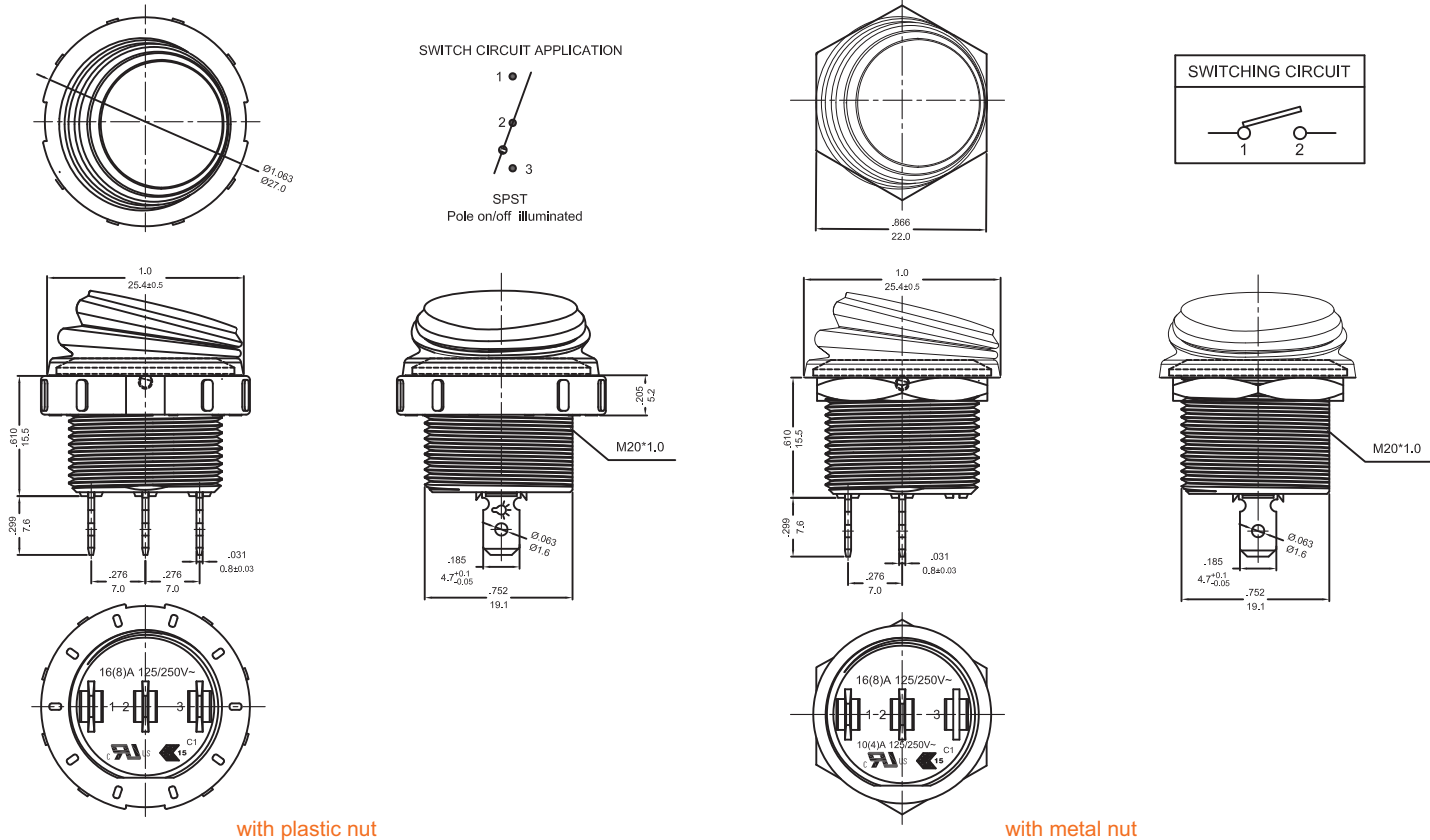


Rocker Switches

Ø23mm Round illuminated Rocker Switches IP68

RK12W Series



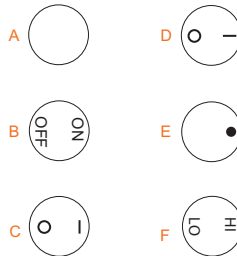
with plastic nut

with metal nut

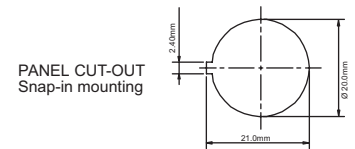
TERMINAL

 Q 4.7mm TAB, 0.8mm Thick

ACTUATOR SHAPE



PANEL SIZE



Note: The described Front Panel Mounting Hole is a proposal only and not universally valid. We recommend that customers test the applicability of the Front Panel Mounting Hole with switch samples and define the fitting Front Panel Mounting Hole measurements individually.

How to order:

RK12W

- | | | |
|--|--|---|
| 1 POLES:
S Single Pole | 6 ILLUMINATION:
N No Illuminated
L 100-125VAC
G 200-250VAC
D 12VDC | 9 MARKING COLOR:
A Black
B White |
| 2 SWITCHING:
1 ON - OFF
2 ON - ON | 7 BASE COLOR:
A Black
B White | 10 NUT:
M Metal
P Plastic |
| 3 TERMINAL:
Q 4.7mm TAB, 0.8mm Thick, Ø1.6mm | 8 ACTUATOR COLOR:
A Black
B White
D Orange
F Green
C Red
G Blue | |
| 4 ACTUATOR:
4 Round | | |
| 5 ACTUATOR MARKING:
A See above drawings
B See above drawings
C See above drawings
D See above drawings
E See above drawings
F See above drawings | | |

General Specifications:

FEATURES

Over the panel waterproof IP68

MATERIALS

Contact Arm: Silver cadmium alloy
Terminal: Silver plated copper
Spring: Piano wire

MECHANICAL

Temperature Range: -20°C to +125°C

ELECTRICAL

Electrical Life: 10,000 cycles
Rating: 10(4)A 125/250V~T55, (cURs,ENEC15)
16(8)A 125/250V~T55, (cURs,ENEC15)
16RA 30VDC T55, IP68 (cURs,ENEC15)
Initial Contact Resistance: 20m Ω max.
Insulation Resistance: 100M Ω min. at 500VDC