

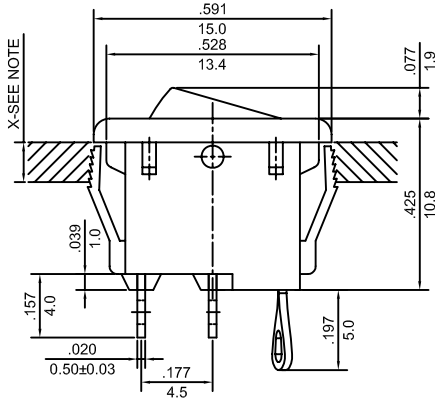
Rocker Switches

Ultra Small Rocker Switch with LED Illumination

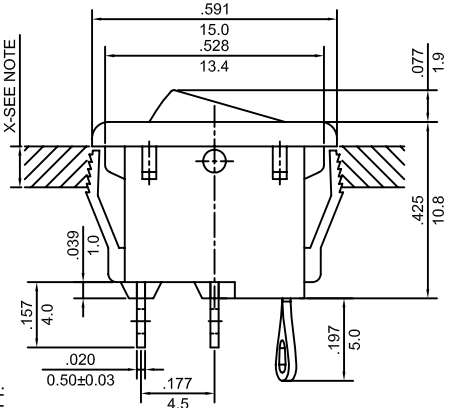
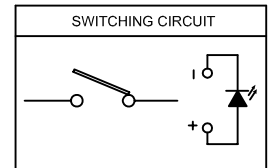
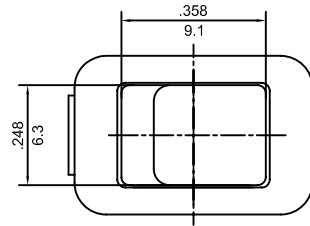
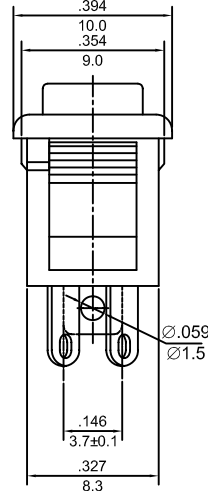
RK8L Series

GENERAL SPECIFICATIONS:

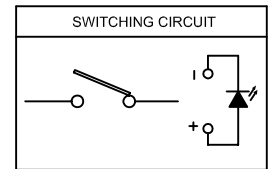
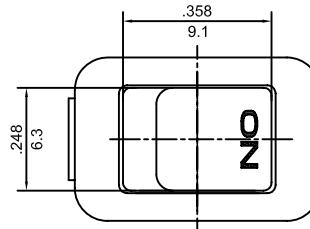
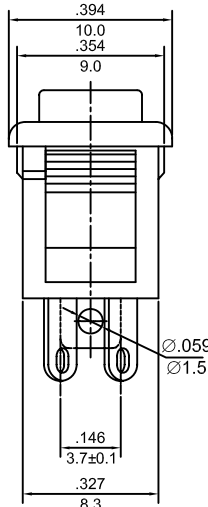
Rating: 3A250VAC
 6A125VAC
 3A250VAC ~μT100
 Initial Contact Resistance: 20 mohm MAX.
 Insulation Resistance: 100 Mohm MIN. at 500VDC
 Dielectric Strength: 1,000VAC for 1 Minute



RK8LS_DTL_000_



RK8LS1DF_L0_B2T_



How to order:

NOTE: 1. TOLERANCES UNLESS OTHERWISE SPECIFIED: $\pm \frac{.012}{0.3}$ (in/mm)
 2. X MEANS FOR APPLICATION PANEL THICKNESS MUST BE UNDER 2.5mm

RK8L

1 NO. OF POLES

S Single Pole

2 SWITCHING FUNCTION

1 ON-OFF
 2 ON-ON
 3 MOM-OFF

3 TERMINAL TYPE

D Solder Tag

4 ACTUATOR TYPE

F Flat Rocker
 P High Paddle

5 ACTUATOR COLOR

T Transparent
 A Black B White C Red
 F Green G Blue D Orange

6 ILLUMINATION TYPE

N No Illumination
 LL Full Illumination (Trans. Actuator)
 L0 Illuminated Laser Icon

L1  (Flat Rocker)

L2  (Flat Rocker)

L3  (High Paddle)



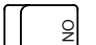
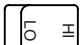

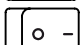
7 LED COLOR

N No Illumination
 C Red (1.9-2.2V)
 D Orange (1.9-2.2V)
 E Yellow (1.9-2.2V)
 B White (2.8-3.2V)
 G Blue (2.8-3.2V)
 F Green (2.8-3.2V)

8 LEGEND TYPE

O No Legend
 P Normal Printing
 B Baled Printing with Laser Icon

9 LEGEND

0  1 
 2  3 
 4  5 

10 LEGEND COLOR

O No Legend
 A Black
 B White
 T Transparent

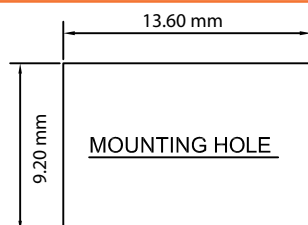
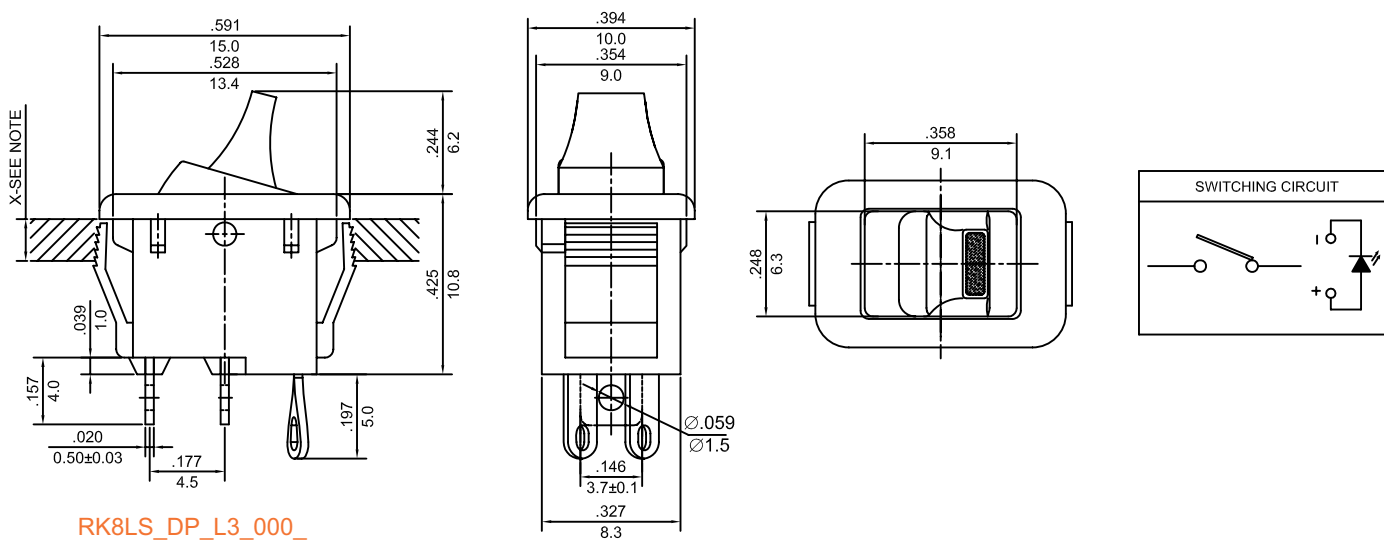
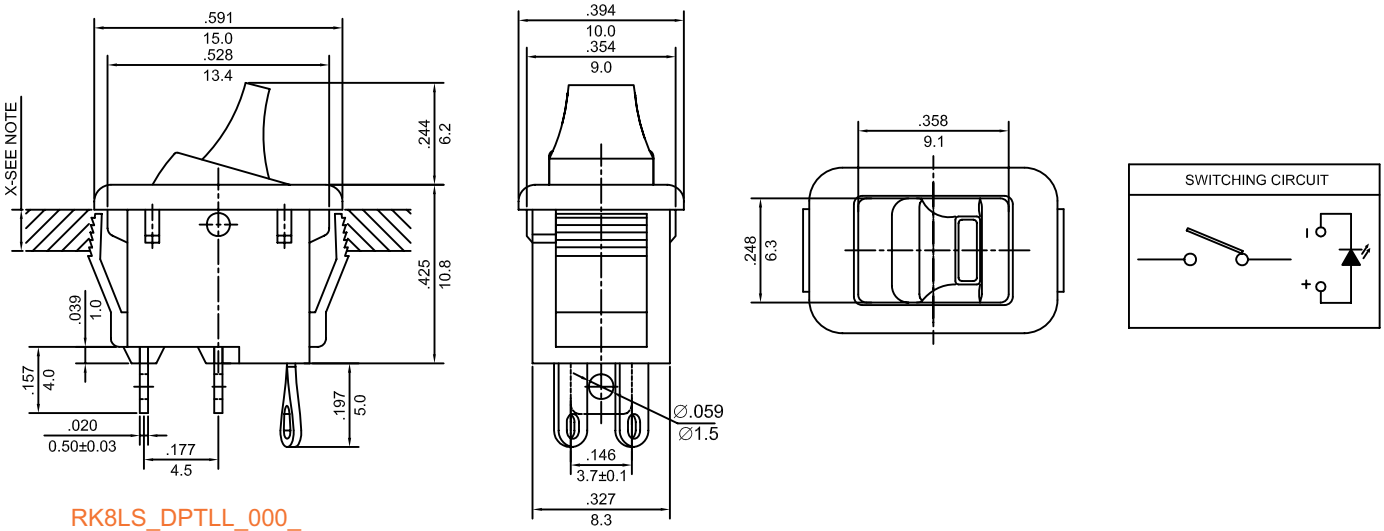
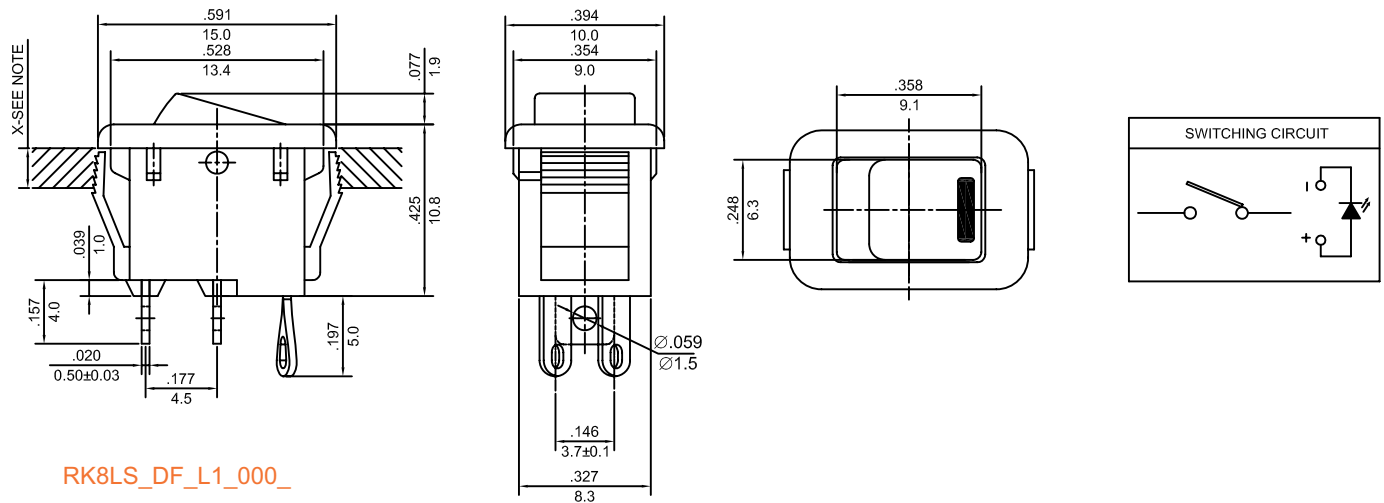
11 BASE COLOR

A Black (Standard)
 B White
 C Red

Rocker Switches

Ultra Small Rocker Switch with LED Illumination

RK8L Series



Note: The described Front Panel Mounting Hole is a proposal only and not universally valid. We recommend that customers test the applicability of the Front Panel Mounting Hole with switch samples and define the fitting Front Panel Mounting Hole measurements individually.