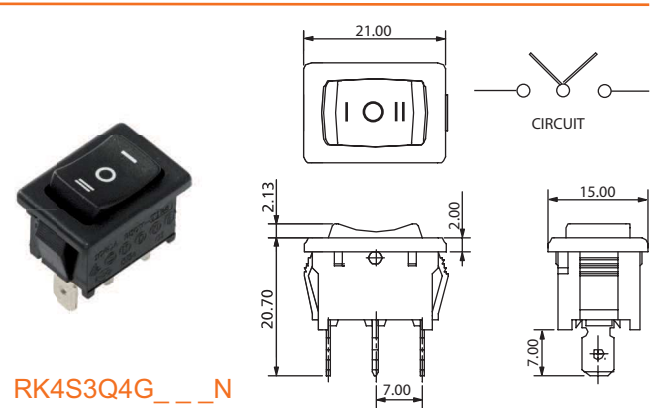
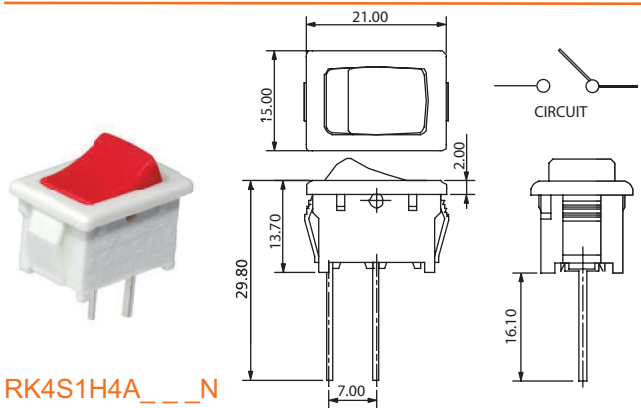
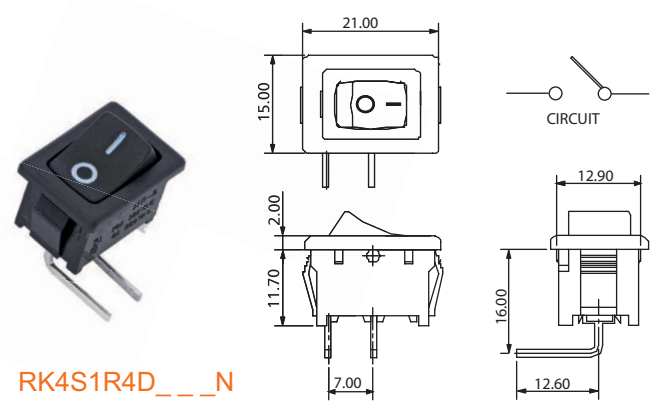
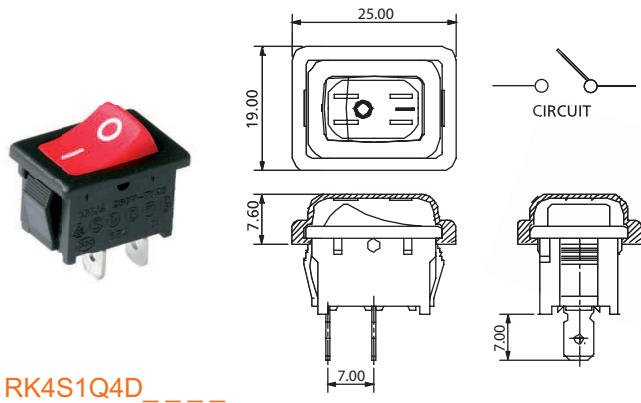


Rocker Switches

21x15mm SP Rocker Switches

RK4 Series



TERMINAL		ACTUATOR MARKING		PANEL SIZE	
	Q 4.8mm TAB, 0.8mm Thick	A		E	<p>PANEL CUT-OUT Snap-in mounting</p> <p>Note: The described Front Panel Mounting Hole is a proposal only and not universally valid. We recommend that customers test the applicability of the Front Panel Mounting Hole with switch samples and define the fitting Front Panel Mounting Hole measurements individually.</p>
	D1 Solder Tag Type 1	B		F	
	D2 Solder Tag Type 2	C		G	
	D3 Solder Tag Type 3	D			
	R Thru Hole Right Angle				
	L Thru Hole Left Angle				
	H Thru Hole Straight				

How to order:

RK4

- 1 POLES:**
S Single Pole
- 2 SWITCHING:**
1 ON - OFF
2 ON - ON
3 ON - OFF - ON
4 MOM - OFF
- 3 TERMINAL (See above drawings):**
Q 4.8mm TAB, 0.8mm THICK
D1 SolderTag Type 1
D2 Solder Tag Type 2
D3 Solder Tag Type 3
R Thru Hole Right Angle
L Thru Hole Left Angle
H Thru Hole Straight
- 4 ACTUATOR:**
4 Curve
- 5 ACTUATOR MARKING:**
A See above drawings
B See above drawings
C See above drawings
D See above drawings
E See above drawings
F See above drawings
G See above drawings
- 6 BASE COLOR:**
A Black
H Grey
B White
- 7 ACTUATOR COLOR:**
A Black
H Grey
B White
C Red
- 8 WATERPROOF COVER:**
N None Cover (Standard)
W With Waterproof Cover

General Specifications:

- FEATURES**
- » Single pole rocker switch up to 20A 125VAC
 - » Non illuminated
- MATERIALS**
- » Contact Arm: Silver cadmium alloy
 - » Terminals: Silver plated copper
 - » Spring: Piano wire
- MECHANICAL**
- » Temperature Range: -20°C to +125°C
- ELECTRICAL**
- » Electrical Life: 10,000 cycles
 - » Rating: 20A125VAC, 12A250VAC
10A125VAC, 6A250VAC
6A125VAC, 3A250VAC
6A250VAC
10(4)A250VAC~T125
 - » Initial Contact Resistance: 20m Ω max.
 - » Insulation Resistance: 100M Ω min. at 500VDC