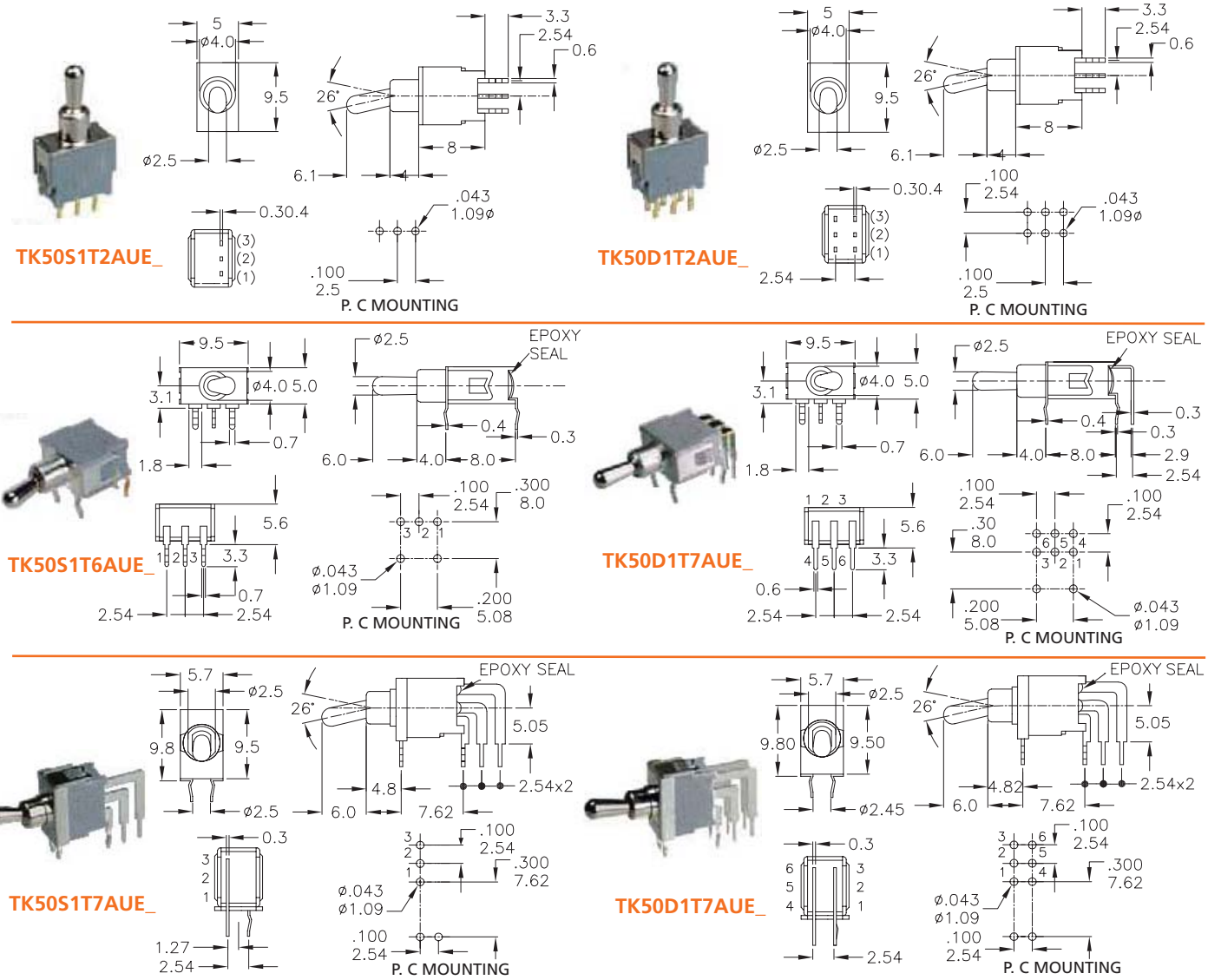


Toggle Switches

Washable Sub-Miniature Toggle Switches

TK50 Series



No. Poles	Part No.	Switch Function			Connected Terminals / Schematic		
		Position 1	Position 2	Position 3	Position 1	Position 2	Position 3
SP	TK50S1...	ON	NONE	ON		N/A	
SP	TK50S3...	ON	OFF	ON		OPEN	
SP	TK50S5...	ON	OFF	MOM	OPEN	N/A	
SP	TK50S9...	OFF	NONE	ON	OPEN	N/A	
DP	TK50D1...	ON	NONE	ON		N/A	
DP	TK50D3...	ON	OFF	ON		OPEN	

How to order:

TK50

1 POLES & SWITCH FUNCTION:

- S1 SP ON-NONE-ON
- S3 SP ON-OFF-ON
- S5 SP ON-OFF-MOM
- S9 SP OFF-NONE-ON
- D1 DP ON-NONE-ON
- D3 DP ON-OFF-ON

2 TERMINALS:

- T2 PC Thru Hole
- T6 PC Thru Hole Right Angle
- T7 PC Thru Hole Vertical Right Angle

3 CONTACT MATERIAL:

- AU Gold
- UT Gold, Pure Tin

4 SEAL:

- E Epoxy (Standard)

5 ROHS & LEAD FREE:

- blank RoHS Compliant (Standard)
- V RoHS Compliant & Lead Free
- H Halogen Free + RoHS + REACH

General Specifications:

MATERIALS

- » Actuator: Brass, chrome plated, internal O-ring seal
- » Bushing & Housing: Stainless Steel
- » Case: Glass filled nylon 6/6 (UL94V-0)
- » Switch Support: Brass, tin plated
- » Contact/Terminals: Phosphor bronze gold plated over nickel plated

MECHANICAL

- » Operating Temperature: -30°C to +85°C
- » Mechanical Life: 60,000 cycles at full load
- » Protection Degree: IP67

ELECTRICAL

- » Contact Rating: Max 0.4 VA max @48VAC/DC
Min. 1µA/20 mVAC/DC
- » Contact Resistance: 50mΩ max. initial @ 2-4 VDC, 100 mA
- » Isulation Resistance: 1,000MΩ min.
- » Dielectric Strength: 500 V RMS @sea level