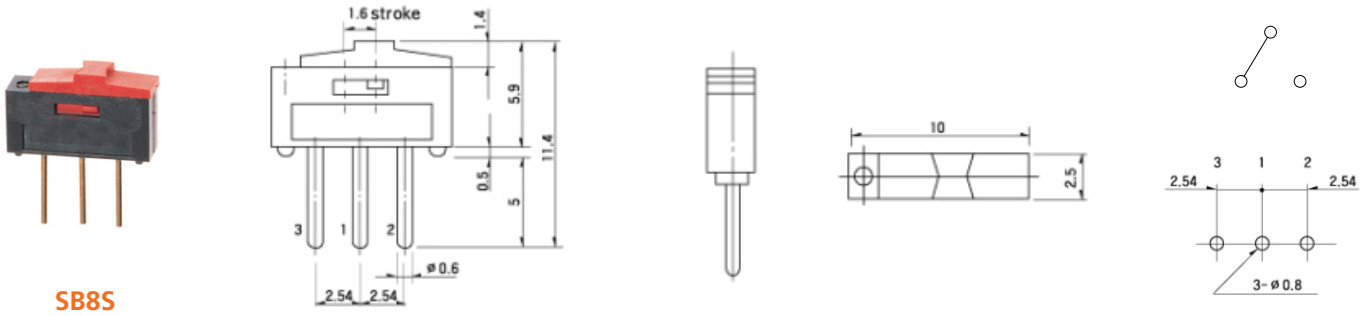


Slide Switches

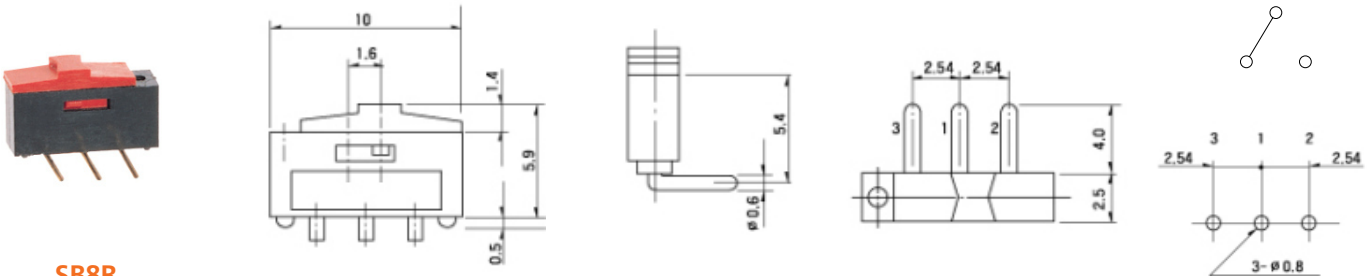
Mini Slide Switches / Attenuator

SB8 Series

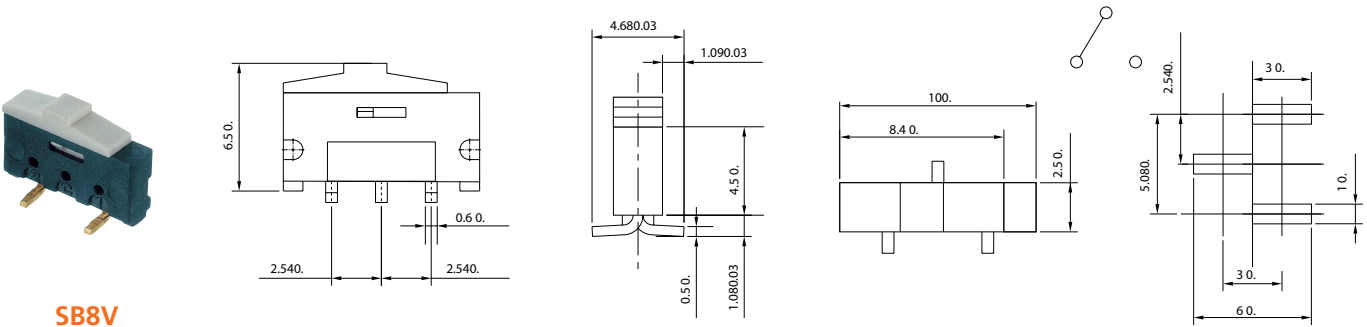
Slide Switches



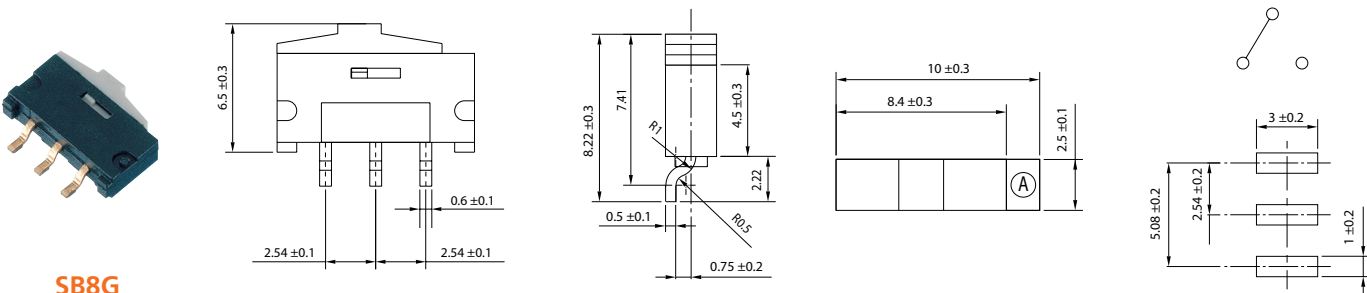
SB8S



SB8R



SB8V



SB8G

How to order:

SB8 1

- 1** **TERMINAL TYPE:**
- S** Straight Type
- R** Right Angle Type
- V** Stand V-Type Surface Mount
- G** Gull Wing Type Surface Mount

General Specifications:

RATING

- » SB8S & SB8R: 0.5A, DC 12V ~ 0.3A, DC 24V
- » SB8V & SB8G: 0.2A, 24VDC; 0.5A, 12VDC (Minimum Contact Rating 1 mA, 10mV)

CONTACT RESISTANCE

- » 30mΩ max.

INSULATION RESISTANCE (SB8V & SB8G)

- » 10000MΩ min. under 500 VDC

OPERATING LIFE & TEMPERATURE

- » SB8S & SB8R: 1,000 operations (with load)
- » SB8V & SB8G: 10,000 operations & -40°C to +85°C

SOLDERIN CONDITIONS

- » SB8S & SB8R: 270°C 5 sec.
- » SB8V & SB8G: 230°C 3 sec.

All specifications are restricted to QA test criteria.
DRW: D.L. JIN, CHK: D.F. LEE, APP: H.Z. QIU