

Rotary Switches

1P10T SMT Type Rotary Switch

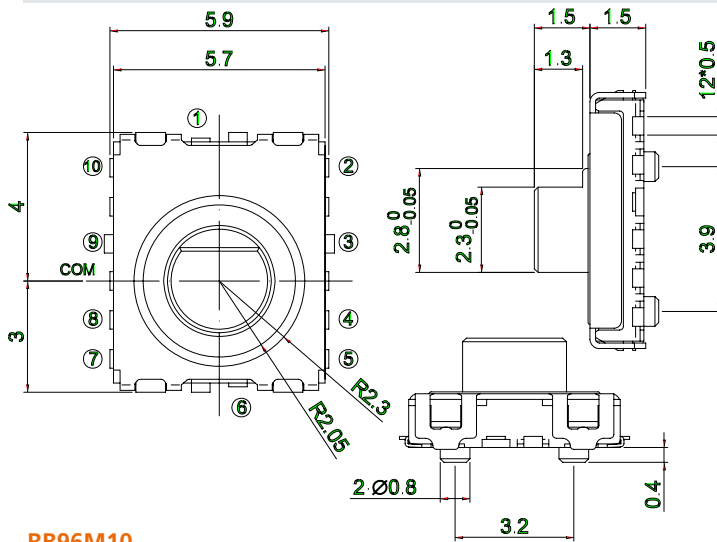
RB96 Series



SPECIFICATIONS

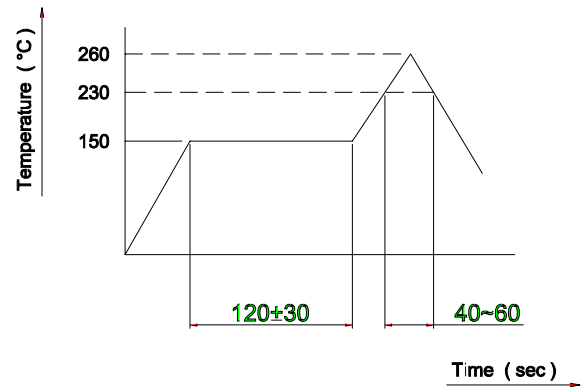
POLE - POSITION	SMT TYPE , 1P10T
CONTACT RATING	5 V DC , 10 mA
CONTACT RESISTANCE	1 Ω max. 1.5 V DC ; 100 mA , by Method of Voltage DROP
INSULATION RESISTANCE	100 MΩ min . 100 V DC for 1 minute
DIELECTRIC STRENGTH	Breakdown is not Allowable ; 100 V AC for 1 Minute
OPERATING FORCE	150 gf.cm max.
OPERATING LIFE	10,000 cycles
OPERATING TEMPERATURE RANGE	-20°C ~ 70°C

DIMENSIONS

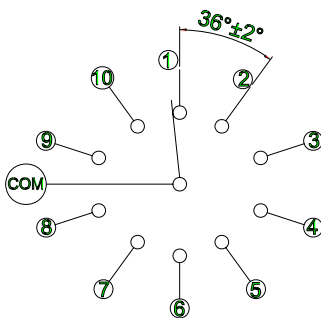


RB96M10

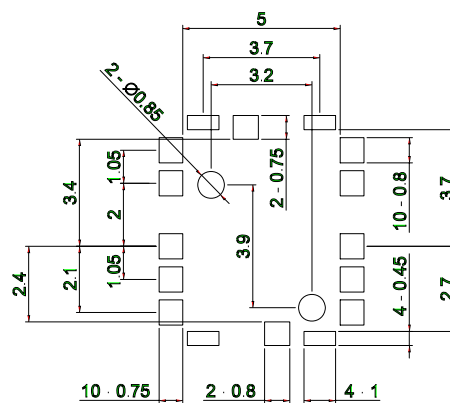
REFLOW SOLDERING



CIRCUIT DIAGRAM



P.C.B. LAYOUT



CAP



Cap for RB96 Series
P/N: RB96CAP

How to order:

RB96 **1** **2** **3**

1 **TERMINAL:**
M SMT Type

2 **POSITION:**
10 10 Position

3 **CAP (optional):**
No Code Without Cap
C With Cap

MATERIAL & WEIGHT

- COVER - SUS
- ACTUATOR - LCP + GF
- FRAME - LCP + GF
- TERMINAL - PHOSPHOR BRONZE SILVER PLATING
- MOVING CONTACT - PHOSPHOR BRONZE GOLD FLASH
- 0.13 ± 0.05 g / pcs

Rotary Switches

1P10T SMT Type Rotary Switch

RB96 Series

CAP



Cap for RB96 Series
P/N: **RB96CAP**

