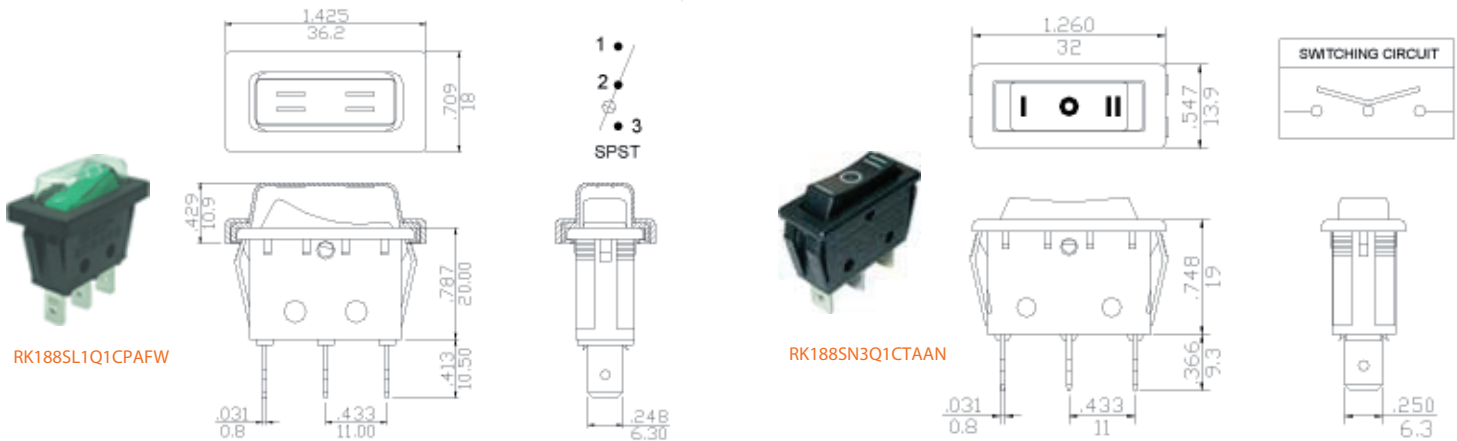
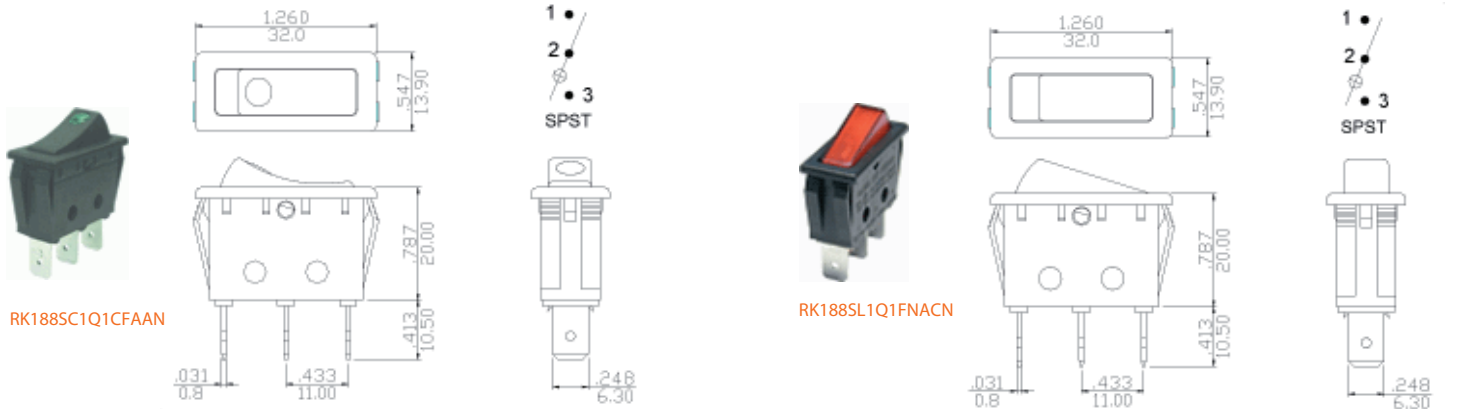


Rocker Switches

SP Rocker Switch up to 20A 125VAC (illuminated)

RK188 Series



General Specifications:

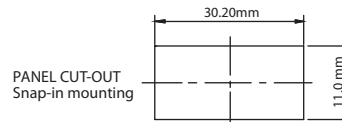
- > Rating: 16A125/250VAC, 65°C (ON-OFF-ON) (UL/CUL)
 - 16A125/250VAC 1/4HP (UL, CSA)
 - 20A125VAC (UL)
 - 20A125VAC / 16A250VAC, 3/4HP 125/250VAC T105 (UL/CUL)
 - 16(4)A250V T85/55 1E4, 10(2)A250V T85/55 5E4 (VDE, ENEC)
 - 20(8)A250V T125/55 (VDE, ENEC)
- > Initial Contact Resistance: 20m ohm Max.
- > Insulation Resistance: 100M ohm Min. at 500VDC
- > Dielectric Strength: 1,000 VAC for 1 minute
- > Electrical Life: 10,000 cycles (16(4)A250VAC
50,000 cycles (10(2)A250VAC)
- > Temperature range: -20°C to +85°C

TOLERANCES UNLESS OTHERWISE SPECIFIED:

$$\pm \frac{0.012}{0.30} \text{ (in/mm)}$$

Materials:

- > Base: Nylon 66 UL 94V-2
- > Actuator: Nylon 66 /PC, UL 94V-2
- > Spring: Piano Wire
- > Contacts: Silver Alloy
- > Terminals: Silver plated copper
- > Lamp: Neon for AC; Tungsten bulb for DC



Note: The described Front Panel Mounting Hole is a proposal only and not universally valid. We recommend that customers test the applicability of the Front Panel Mounting Hole with switch samples and define the fitting Front Panel Mounting Hole measurements individually.

How to order:

RK188

- | | | | |
|---|---|--|---|
| <p>1 POLES:
S Single Pole</p> <p>2 ILLUMINATION:
N No Illumination
L With Illumination
C Circle Len</p> <p>3 SWITCHING:
1 ON-OFF
2 ON-ON
3 ON-OFF-ON
4 MOM-OFF
5 MOM-ON
6 MOM-OFF-MOM
7 MOM-OFF-ON
8 ON-MOM(OFF)</p> | <p>4 TERMINAL TYPE:</p> <p>Q1 QUICK-CONNECT</p> <p>Q2 QUICK-CONNECT</p> <p>D1 SOLDER TAG</p> <p>D2 SOLDER TAG</p> <p>5 ACTUATOR:
C Curve
F Flat</p> | <p>6 ACTUATOR MARKING:</p> <p>N </p> <p>H </p> <p>O </p> <p>S </p> <p>P </p> <p>T </p> <p>F Green Len</p> <p>C Red Len</p> <p>D Orange Len</p> | <p>7 BASE COLOR:
A Black
H Grey
B White</p> <p>8 ACTUATOR COLOR:
H Gray (only non-illuminated/circle len)
A Black (only non-illuminated/circle len)
B White (only non-illuminated/circle len)
C Red
F Green
D Orange</p> <p>9 WATERPROOF:
N None
W With Waterproof Cap</p> |
|---|---|--|---|

All specifications are restricted to QA test criteria. DRW: D.L. JIN, CHK: D.F. LEE, APP: H.Z. QIU