
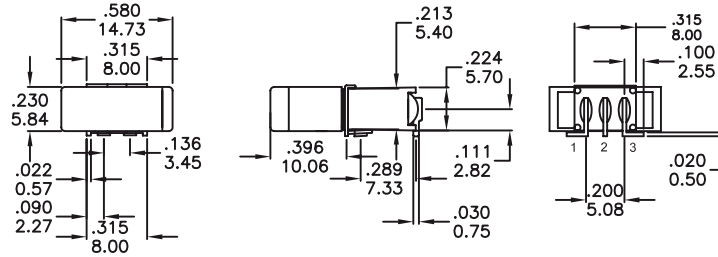


Rocker Switches

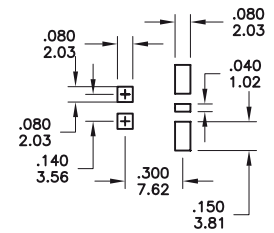
Sealed Sub-Miniature SMT Rocker Switches SPDT

RK17 Series


 UL versions available by request

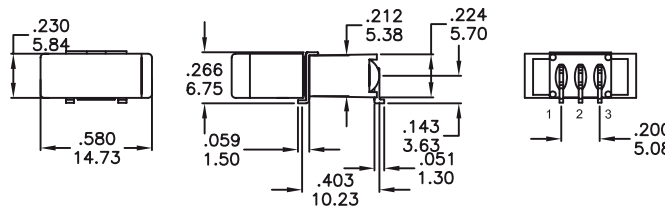


P.C. MOUNTING

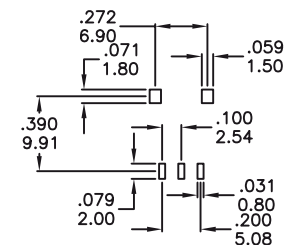


RK17S1A2TTAUEV

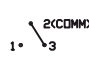
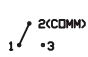
 UL versions available by request



P.C. MOUNTING



RK17S1A2TZAUEV

NO. POLES	MODEL NO.	SWITCH FUNCTION			CONNECTED TERMINALS / SCHEMATIC		
		POS.1	POS.2	POS.3	POS.1	POS.2	POS.3
SP	RK17S1	ON	NONE	ON	2-3	N/A	2-1
	RK17S2	ON	NONE	MOM			
	RK17S3	ON	OFF	ON		OPEN	
	RK17S4	MOM	OFF	MOM			
	RK17S5	ON	OFF	MOM			

How to order:

RK17

- 1 POLES & CIRCUIT:**
S1 SP ON-NONE-ON
S2 SP ON-NONE-MOM
S3 SP ON-OFF-ON
S4 SP MOM-OFF-MOM
S5 SP ON-OFF-MOM

- 2 ACTUATOR:**
A2 Standard Rocker

- 3 TERMINALS:**
TT SMT Type (See drawing)
TZ SMT Type 2 (See drawing)

- 4 CONTACT MATERIAL:**
AG Silver
AU Gold
UT Gold, tin-lead
GT Silver, tin-lead
UG Gold over Silver
UGT Gold over Silver, Tin-lead

- 5 SEAL:**
E Epoxy (Standard)

- 6 ROHS & LEADFREE:**
No Code RoHS Compliant
V RoHS & Lead Free

General Specifications:

MATERIALS

- » Movable Contact & Fixed Terminals:
 AG, GT, UG & UGT: Silver plated over copper alloy
 AU & UT: Gold over nickel plated over copper alloy

MECHANICAL

- » Operating Temperature: -30°C to +85°C
- » Mechanical Life: 50,000 cycles

CONTACT RATING

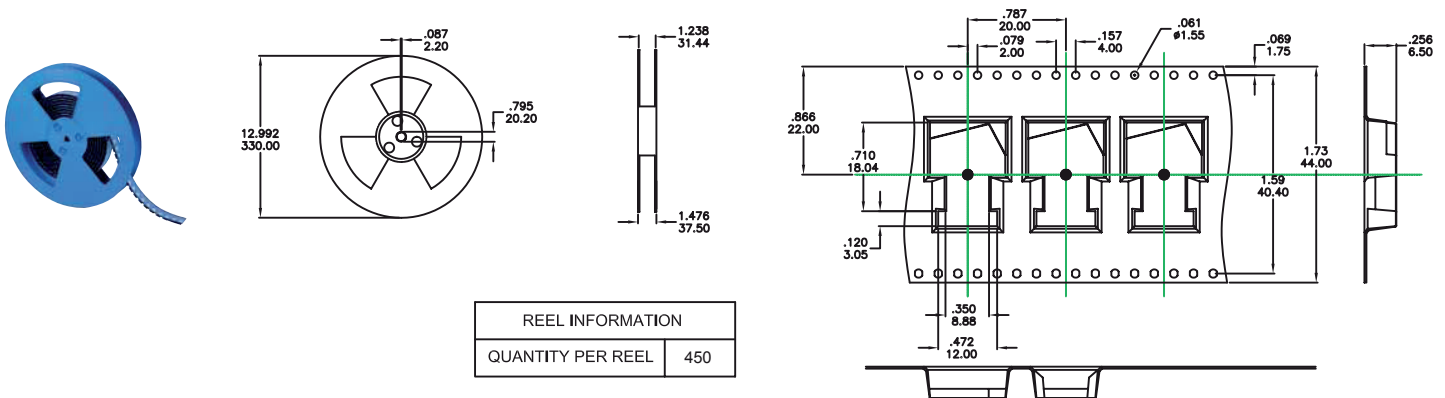
- » AG, GT, UG & UGT: 5A120VAC/28VDC 2A250VAC
- » AU & UT: 0.4VA max. 20V max. (AC/DC)

ELECTRICAL

- » Contact Resistance: 20mΩ max. initial @ 2-4VDC
 100mA for silver & gold plated contacts
- » Insulation Resistance: 1,000MΩ min.

PACKAGING

Switches available on embossed antistatic tape and reels.
Tape and cover strip are conductive for use near statically sensitive components.



SOLDERING PROCESSES

MANUAL SOLDERING : Use soldering iron of 30 watts, controlled at 350°C approximately 5 seconds while applying solder.

WAVE SOLDERING : Recommended Soldering Temperature: 260±5°C
Duration of Solder Immersion: 5 ±1 seconds
(PCB is 1.6mm in thickness)

SOLDERING : Vapor phase & IR- reflow soldering can be applied.

Temperature Profile

Zone	Room temperature	Time (Sec)
Pre-heat (A)	150°C	Min 120s
Soak (B)	180°C~200°C	Min 150s
Peak (C)	200°C~235°C	Min 30s
Peak (D)	235°C~260°C	Min 40s
Peak (E)	260°C	Max 10s

