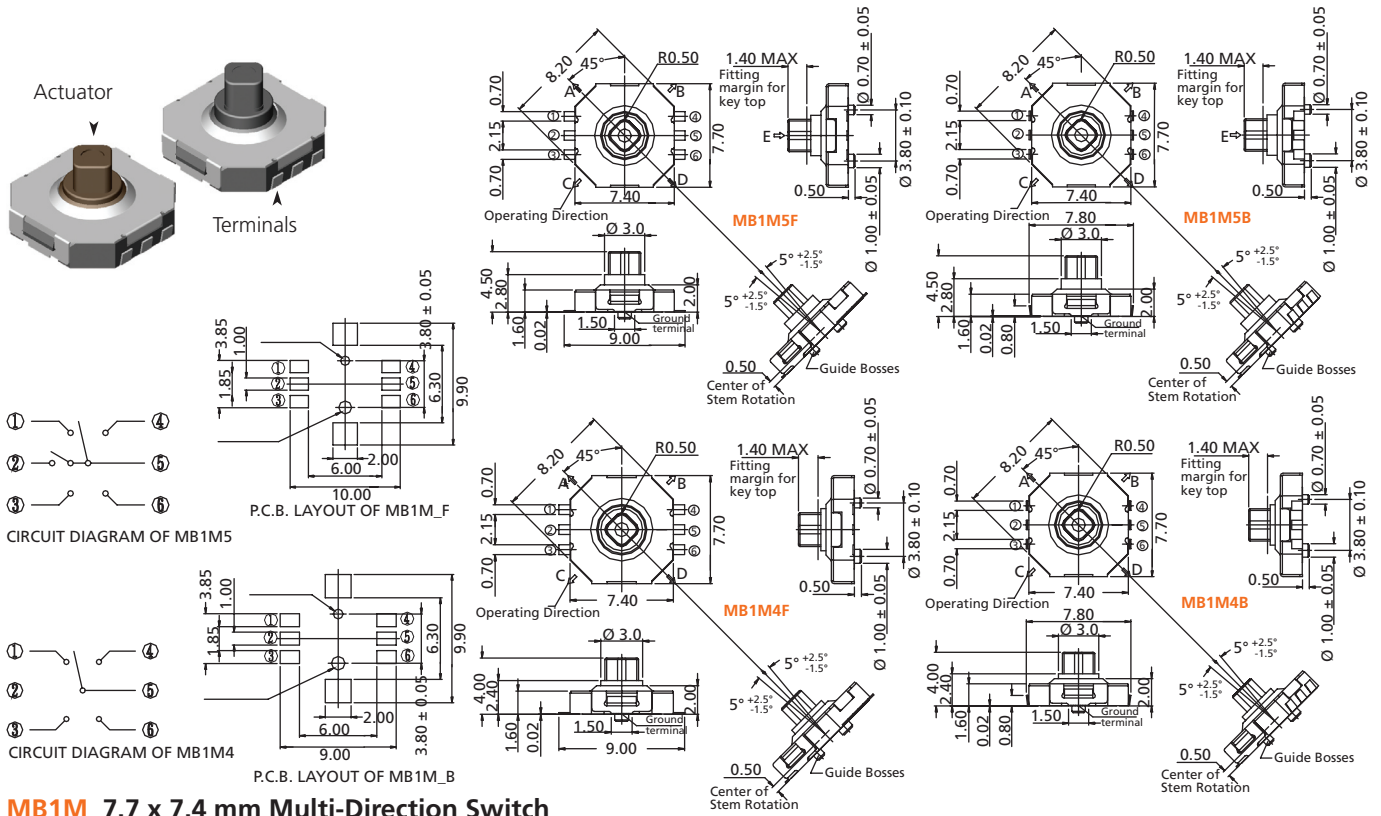


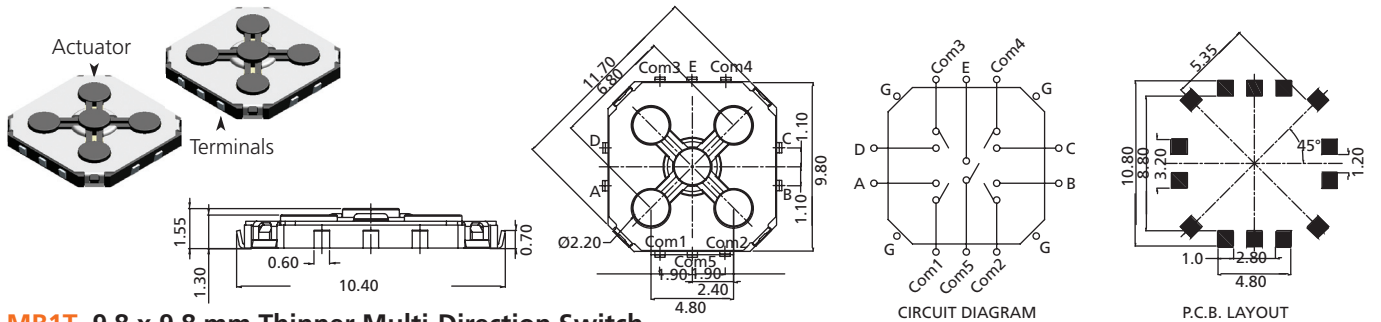
Multi-Direction Switches

SMT Multi-Direction Switches

MB1 Series



MB1M 7.7 x 7.4 mm Multi-Direction Switch



MB1T 9.8 x 9.8 mm Thinner Multi-Direction Switch

How to order:

MB1

- 1 TYPE OF SWITCHES:**
 - M** 7.7 x 7.4 mm Multi-Direction Switch
 - T** 9.8 x 9.8 mm Thinner Multi-Direction Switch
- 2 NO. OF DIRECTIONS:**
 - 4** 4 Directions(MB1M Only)
 - 5** 5 Directions
- 3 TERMINAL TYPE:**
 - B** SMT Bending Terminals
 - F** Flat SMT Terminals (MB1M Only)
- 4 PACKAGE:**
 - TR** Tape & Reel
 - BK** Bag (MB1T Only)
 - TB** Tube (MB1T Only)

General Specifications:

- MATERIALS**
 - » Contact: Stainless with silver cladding
 - » Terminal: Brass with silver plated
- MECHANICAL**
 - » Stroke: 5° (+2.5°/-1.5°) (4 directions)
0.25 (+0.1/-0.2) mm (Center push)
0.25 (±0.15) mm (MB1T Only)
 - » Operating Force: 160 gf (MB1M4)
320 gf (MB1M5)
180 ± 60 gf (MB1T Side)
320 (+80/-60) gf (MB1T center)
 - » Operating Temperature: -25°C to +70°C (MB1M)
-20°C to +70°C (MB1T)
 - » Storage Temperature: -40°C to +85°C
- ELECTRICAL**
 - » Electrical Life: 100,000 cycles (MB1M)
200,000 cycles (MB1T)
 - » Rating: 50mA, 12VDC

- LEADFREE SOLDERING PROCESSES**
 - » Reflow Soldering: When applying reflow soldering, the peak temperature or the reflow oven should be set to 260°C 10 seconds max.

All specifications are restricted to QA test criteria.
DRW: D.L. JIN, CHK: D.F. LEE, APP: H.Z. QIU

General Tolerance: ± 0.2 mm