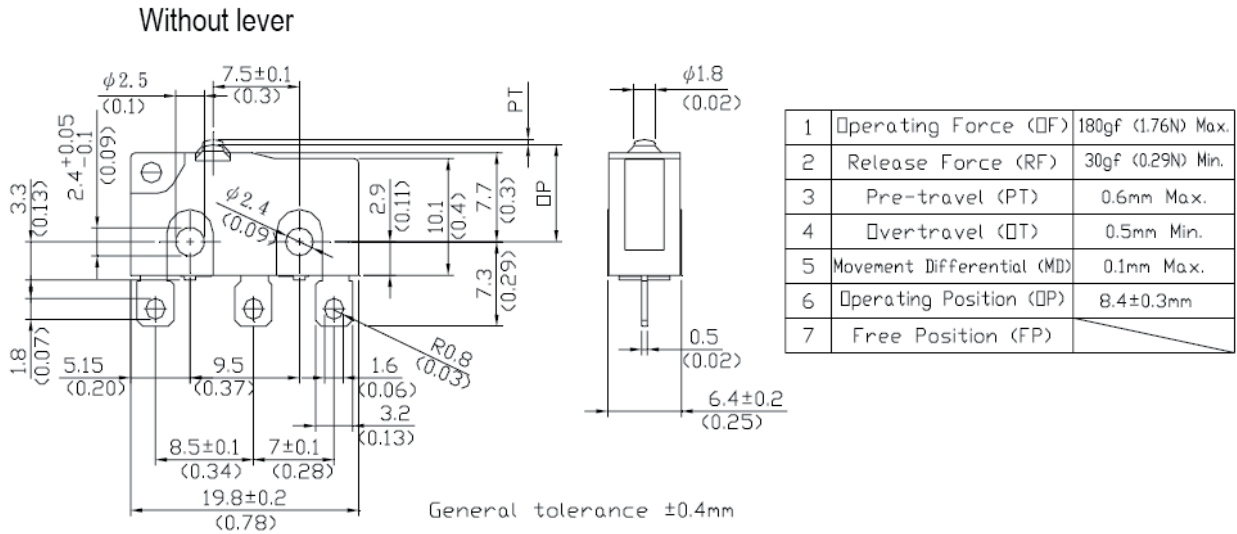


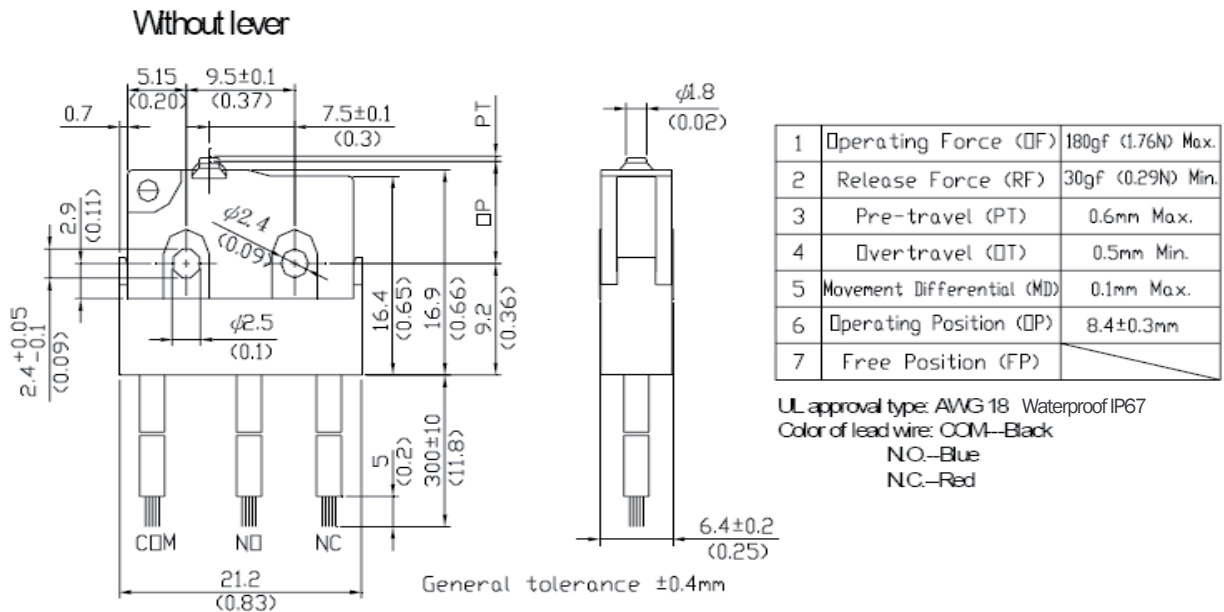
# Micro Switches

## Micro Switches with Waterproof Option

## MP64 Series



MP64B\_D1A



MP64B\_7\_D00N

### How to order:

MP64

**1 RATING CURRENT:**  
B 5A 125VAC/250VAC

**2 TERMINAL TYPE:**  
1 #110 Quick Connect  
2 PCB Self-Standing  
3 PCB Straight  
4 PCB Right Angle  
5 PCB Left Angle  
6 Solder Lug  
7 Waterproof IP67 Lead Wire

**3 TERMINAL DIMENSIONS:**  
A Standard (see Page 3)  
B 0.6x0.5mm  
(Only for terminal type 3, 4 & 5)

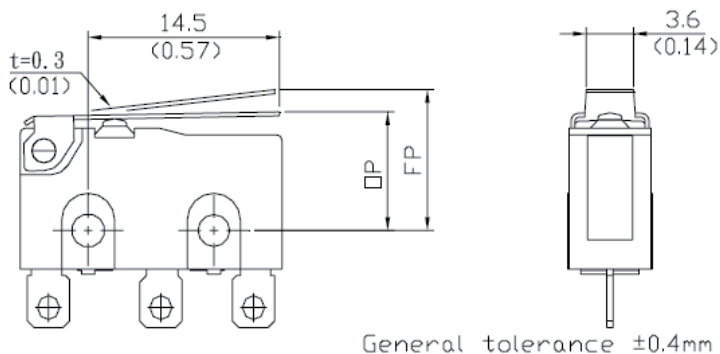
**4 CIRCUIT:**  
D SPDT  
O SPST, NO  
C SPST, NC

**5 ACTUATOR TYPE:**  
00 Without Lever  
1 Straight Lever  
2 Simulated Roller Lever  
3 Roller Lever

**6 ACTUATOR LENGTH:**  
N No Lever  
A 14.5 mm for Straight Lever  
15.8 mm for Simulated Roller Lever  
14.5 mm for Roller Lever  
B 16.5mm only for Straight Lever



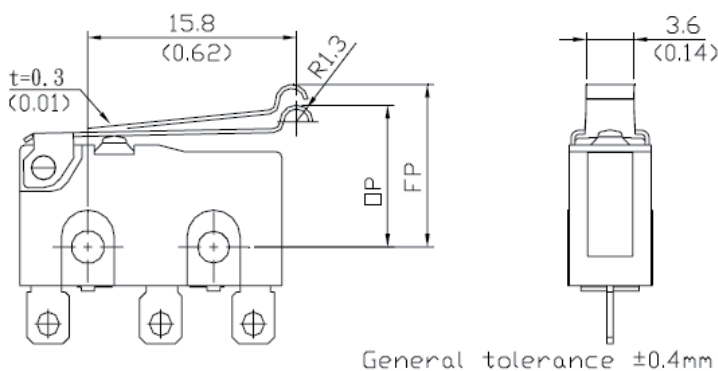
### Straight lever



1	Operating Force (OF)	60gf (0.59N) Max.
2	Release Force (RF)	6gf (0.06N) Min.
3	Pre-travel (PT)	
4	Overtravel (OT)	1.0mm Min.
5	Movement Differential (MD)	0.8mm Max.
6	Operating Position (OP)	8.8±0.8mm
7	Free Position (FP)	13.6mm Max.

### MP64B\_\_D1A

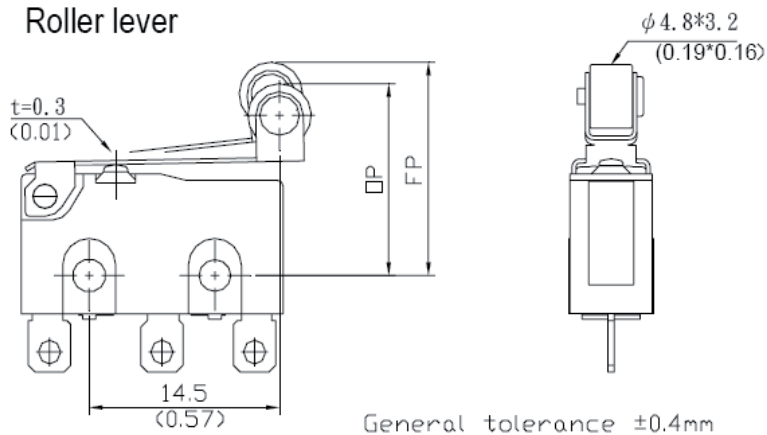
### Simulated lever



1	Operating Force (OF)	60gf (0.59N) Max.
2	Release Force (RF)	6gf (0.06N) Min.
3	Pre-travel (PT)	
4	Overtravel (OT)	1.0mm Min.
5	Movement Differential (MD)	0.8mm Max.
6	Operating Position (OP)	10.7±0.8mm
7	Free Position (FP)	15.5mm Max.

### MP64B\_\_D2A

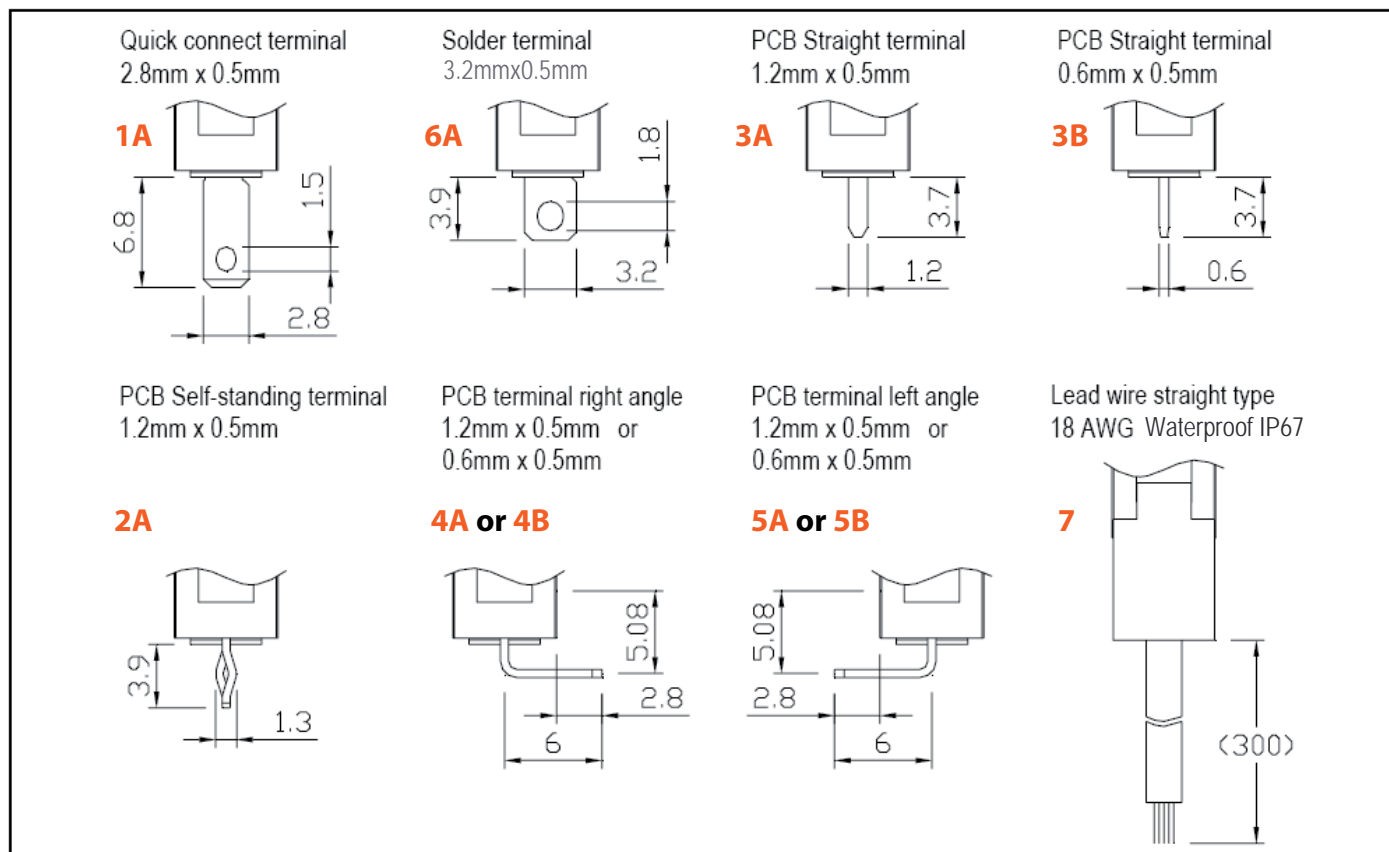
### Roller lever



1	Operating Force (OF)	60gf (0.59N) Max.
2	Release Force (RF)	6gf (0.06N) Min.
3	Pre-travel (PT)	
4	Overtravel (OT)	1.0mm Min.
5	Movement Differential (MD)	0.8mm Max.
6	Operating Position (OP)	14.5±0.8mm
7	Free Position (FP)	19.3mm Max.

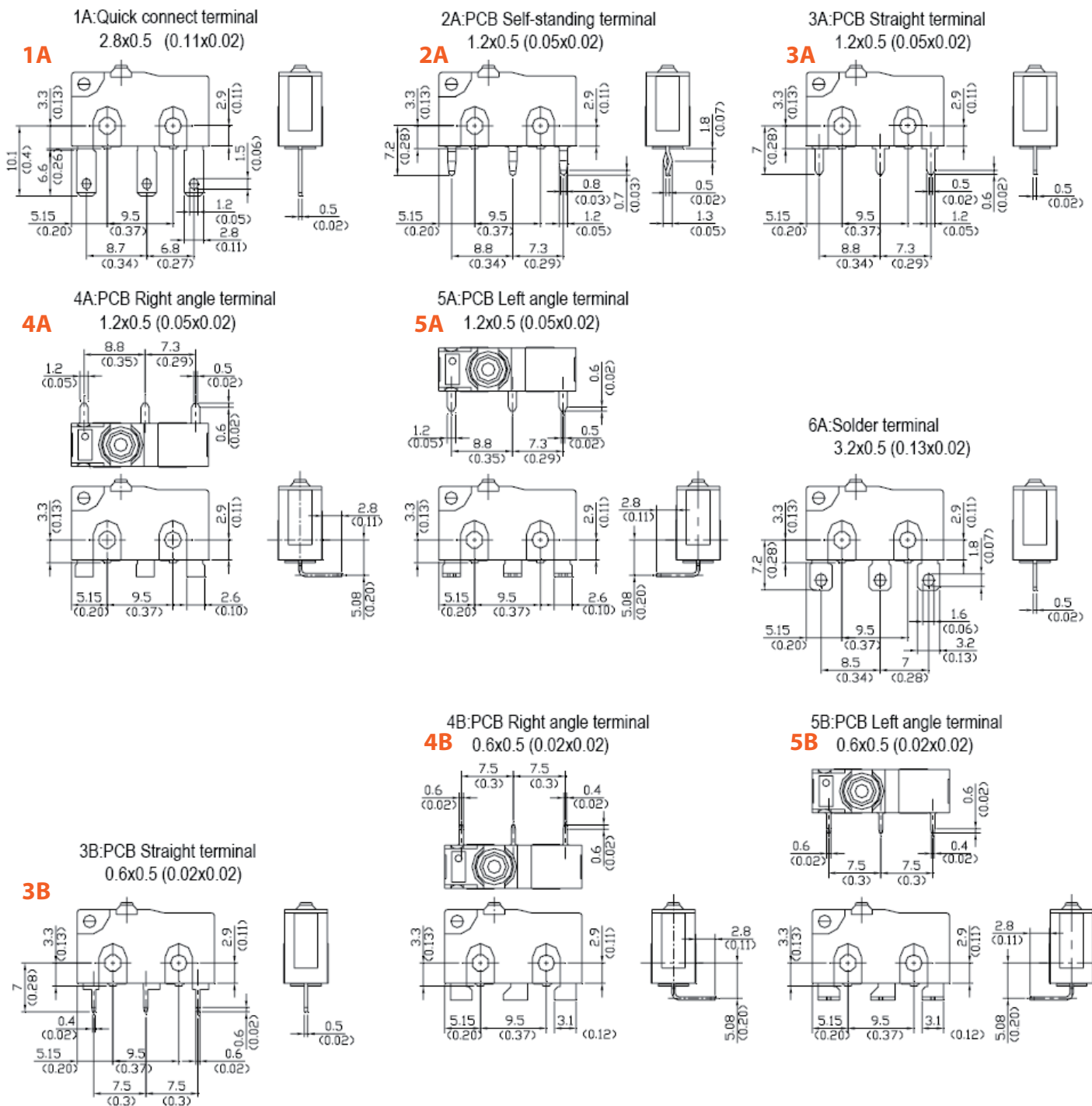
### MP64B\_\_D3A

### ■ TERMINAL OPTIONS UNIT:mm



Code	Terminal type	Terminal dimensions	
		Code A	Code B
1	#110 Quick connect terminal	2.8mmx0.5mm	---
2	PCB Self-standing terminal	1.2mmx0.5mm	---
3	PCB Straight terminal	1.2mmx0.5mm	0.6mmx0.5mm
4	PCB Terminal right Angle	1.2mmx0.5mm	0.6mmx0.5mm
5	PCB Terminal left Angle	1.2mmx0.5mm	0.6mmx0.5mm
6	Solder terminal	3.2mmx0.5mm	---
7	Straight lead wire with IP67 waterproof protection	18 AWG	---

### ■ TERMINAL TYPE UNIT:mm(inch)



Code	Actuators type	Actuators length	
		Code A	Code B
00	Without lever	---	---
1	Straight lever	14.5mm	16.5mm
2	Simulated roller lever	15.8mm	---
3	Roller lever	14.5mm	---

### ■ SPECIFICATIONS

● Ratings	AC 125V 5A / 250V 3A DC 30V 3A
● Circuit arrangement	Single pole Double throw (1c) Single pole single throw (1a)(1b)
● Protective construction classification of IEC	Dust protected type IP50 Immersion protected type IP67

### 1.ELECTRICAL PERFORMANCE

● Insulation resistance	100M $\Omega$ Min. at 500VDC
● Dielectric strength	Between non-continuous terminals: AC 1000Vrms Between each terminal and other exposed metal parts: AC 1500Vrms Between each terminal and ground: AC 1500Vrms
● Initial contact resistance	50m $\Omega$ Max.

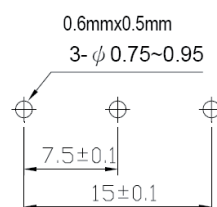
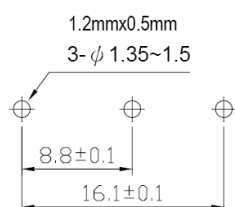
### 2.DURABILITY

● Mechanical Life	5,000,000 cycles Operations
● Electrical Life	100,000 cycles Operations

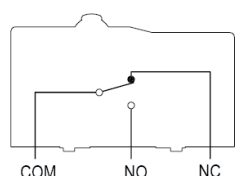
### 3.ENVIRONMENTAL

● Ambient Temperature	-40 $^{\circ}$ C to +85 $^{\circ}$ C (without dew condensation)
-----------------------	---

### ■ PC BOARD PATTERN



### ■ CIRCUIT DIMENSIONS



### ■ MOUNTING HOLE LAYOUT

